

# VERMEIREN

## Eco-Light

INSTRUCTION MANUAL  
MODE D'EMPLOI  
GEBRUIKSAANWIJZING  
GEBRAUCHSANWEISUNG  
ISTRUZIONI PER L'USO  
MANUAL DE INSTRUCCIONES  
INSTRUKCJA OBSŁUGI



## **EN** Instructions to the specialist dealer

This instruction manual is part and parcel of the product and must accompany every product sold.

Version: C, 2015-08

All rights reserved, including translation.

No part of this manual may be reproduced in any form what so ever (print, photocopy, microfilm or any other process) without written permission of the publisher, or processed, duplicated or distributed by using electronic systems.

© N.V. Vermeiren N.V. 2015

## **FR** Instructions pour les distributeurs

Ce manuel d'instructions fait partie du produit et doit accompagner chaque produit vendu.

Version : C, 2015-08

Tous droits réservés, y compris la traduction.

Aucune partie de ce manuel ne peut être reproduite, sous quelque forme que ce soit (imprimée, photocopie, microfilm ou tout autre procédé) sans l'autorisation écrite du publicateur, ni traitée, dupliquée ou distribuée à l'aide de systèmes électroniques.

© N.V. Vermeiren N.V. 2015

## **NL** Instructies voor de vakhandelaar

Deze handleiding is deel van het product en dient bij iedere product te worden geleverd.

Versie: C, 2015-08

Alle rechten, inclusief vertaling, voorbehouden.

Niets uit deze handleiding mag geheel of gedeeltelijk in enige vorm (druk, fotokopie, microfilm of ieder ander procedé) zonder de schriftelijke toelating van de uitgever worden gereproduceerd of met behulp van elektronische systemen worden verwerkt, gekopieerd of verspreid.

© N.V. Vermeiren N.V. 2015

## **DE** Hinweise für den Fachhändler

Diese Gebrauchsanweisung ist Bestandteil des Produkts und ist bei jeder Produkts auszuhändigen.

Version: C, 2015-08

Alle Rechte, auch an der Übersetzung, vorbehalten.

Kein Teil der Gebrauchsanweisung darf in irgendeiner Form (Druck, Fotokopie, Mikrofilm oder einem anderen Verfahren) ohne schriftliche Genehmigung des Herausgebers reproduziert oder unter Verwendung elektronischer Systeme verarbeitet, vervielfältigt oder verbreitet werden.

© N.V. Vermeiren N.V. 2015

## **IT** Istruzioni per il rivenditore

Il presente Manuale di istruzioni è parte integrante del prodotto e deve essere fornito assieme alla prodotto.

Versione: C, 2015-08

Tutti i diritti riservati (anche sulla traduzione).

Il presente manuale non può essere riprodotto, neppure parzialmente, con alcun mezzo (stampa, fotocopia, microfilm o altro procedimento) senza l'autorizzazione scritta della casa produttrice, né elaborato, duplicato o distribuito con l'ausilio di sistemi elettronici.

© N.V. Vermeiren N.V. 2015

## **ES** Instrucciones destinadas a los distribuidores especializados

El presente manual de instrucciones es parte integrante del producto y se debe adjuntar a todas las producto que se vendan.

Versión: C, 2015-08

Todos los derechos reservados, incluidos los de la traducción.

Se prohíbe la reproducción total o parcial del presente manual de cualquier forma (impresión, fotocopia, microfilm o cualquier otro procedimiento), así como la edición, copia o distribución empleando sistemas electrónicos, sin el permiso escrito del editor.

© N.V. Vermeiren N.V. 2015

## **PL** Instrukcje dla wyspecjalizowanego sprzedawcy

Niniejsza instrukcja obsługi jest nieodłączną częścią produktu i musi być dołączona do każdego sprzedawanego produktu.

Wersja: C, 2015-08

Wszelkie prawa zastrzeżone, łącznie z tłumaczeniem.

Żadna część niniejszej instrukcji nie może być powielana w jakiegokolwiek formie (drukowanej, fotokopii, mikrofilmu ani innej) bez pisemnej zgody wydawcy, nie może być również przetwarzana, kopiowana ani rozprowadzana za pomocą systemów elektronicznych.

© N.V. Vermeiren N.V. 2015



**EN Contents**

1. Technical details	2
2. Components	2
3. Explanation of symbols	2
4. Check after delivery	2
5. Intended use	3
6. Fold and unfold the rollator (Fig. 1)	3
7. Assembly	3
8. Pushing handles (Fig. 2)	3
9. Brake system (Fig. 3)	4
10. Basket	4
11. Safety instructions	4
12. Care	5
13. Disinfection	5
14. Repairs / Service / Inspection	5
15. Shipping and storage	5
16. Warranty	5
17. Disposal	5
18. Declaration of conformity	6

**FR Table des matières**

1. Caractéristiques techniques	7
2. Composants	7
3. Explication des symboles	7
4. Contrôle lors de la réception	7
5. Utilisation	8
6. Plier et déplier le rollator (Fig. 1)	8
7. Assemblage	8
8. Poignées de poussée (Fig. 2)	8
9. Système de freinage (Fig. 3)	9
10. Panier	9
11. Consignes de sécurité	9
12. Entretien	10
13. Désinfection	10
14. Réparation / entretien / inspection	10
15. Expédition et stockage	10
16. Garantie	10
17. Mise au rebut	11
18. Déclaration de conformité	11

**NL Inhoudsopgave**

1. Technische gegevens	12
2. Onderdelen	12
3. Gebruikte symbolen	12
4. Controle bij ontvangst	12
5. Gebruik	13
6. Op- en openvouwen van de rollator (Fig. 1)	13
7. Montage	13
8. Handgrepen (Fig. 2)	13
9. Remsysteem (Fig. 3)	14
10. Mandje	14
11. Veiligheidsinstructies	14
12. Verzorging	15
13. Desinfecteren	15
14. Reparatie / onderhoud / inspectie	15
15. Verpakking en opslag	15
16. Garantie	15
17. Afvalverwerking	16
18. Verklaring van overeenstemming	16

**DE Inhalt**

1. Technische Angaben	17
2. Bauteile	17
3. Zeichenerklärung	17
4. Prüfungen nach der Lieferung	17
5. Zweckbestimmung	18
6. Zusammen- und Aufklappen des Rollators (Abb. 1)	18
7. Aufbau	18
8. Schiebegriffe (Abb. 2)	18
9. Bremssystem (Fig. 3)	19
10. Korb	19
11. Sicherheitshinweise	19
12. Pflege	20

13. Desinfektion	20
14. Reparatur / Wartung / Inspektion	20
15. Verpackung und Lagerung	21
16. Gewährleistung	21
17. Entsorgung	21
18. Übereinstimmungserklärung	21

**IT Indice**

1. Dati tecnici	22
2. Componenti	22
3. Significato dei simboli	22
4. Controllo dopo la consegna	22
5. Utilizzo previsto	23
6. Apertura e chiusura del rollator (Fig. 1)	23
7. Assemblaggio	23
8. Maniglie di spinta (Fig. 2)	23
9. Freni (Fig. 3)	24
10. Cestello	24
11. Istruzioni per la sicurezza	24
12. Pulizia	25
13. Disinfezione	25
14. Riparazione / Manutenzione / Controllo	25
15. Trasporto e conservazione	25
16. Garanzia	25
17. Smaltimento	26
18. Dichiarazione di conformità	26

**ES Índice**

1. Datos técnicos	27
2. Componentes	27
3. Explicación de los símbolos	27
4. Comprobación tras la entrega	27
5. Uso previsto	28
6. Plegado y desplegado el andador (imagen 1)	28
7. Montaje	28
8. Mangos para empujar (imagen 2)	28
9. Sistema de frenos (imagen 3)	29
10. Cesta	29
11. Instrucciones de seguridad	29
12. Cuidados	30
13. Desinfección	30
14. Reparaciones / Mantenimiento / Inspección	30
15. Envío y almacenamiento	31
16. Garantía	31
17. Eliminación	31
18. Declaración de conformidad	31

**PL Spis treści**

1. Dane techniczne	32
2. Elementy składowe	32
3. Objasnienia symboli	32
4. Kontrola po dostawie	32
5. Przeznaczenie	33
6. Składanie i rozkładanie rolatora (Rys. 1)	33
7. Montaż	33
8. Rączki-uchwyty (Rys. 2)	33
9. Hamulec (Rys. 3)	34
10. Koszyk	34
11. Instrukcje bezpieczeństwa	34
12. Pielęgnacja	35
13. Dezynfekcja	35
14. Naprawy/konserwacja/przeglądy	35
15. Wysyłka i przechowywanie	35
16. Gwarancja	36
17. Utylizacja	36
18. Deklaracja zgodności	36

## INSTRUCTION MANUAL

### 4-wheels rollator Eco-Light

#### 1. Technical details

**⚠ WARNING: Risk of unsafe settings - Use only the settings described in this manual.**

<b>Make</b>	Vermeiren		
<b>Address</b>	Vermeirenplein 1/15, B-2920 Kalmthout		
<b>Type</b>	Rollator		
<b>Model</b>	Eco-Light		
Width (unfolded)	600 mm		
Width (folded)	600 mm		
Length (unfolded)	760 mm (with basket) 670 mm (without basket)		
Length (folded)	345 mm (handgrips mounted lowest height) 270 mm (handgrips dismantled)		
Maximum height	950 mm		
Minimum height	820 mm		
Height (folded)	980 mm		
Distance between handgrips	480 mm		
Seat height	550 mm		
Seat width	410 mm		
Seat depth	340 mm		
Weight	<b>7,00 kg</b>	with basket	7,60 kg
Wheels	8 x 1 ¼ (Ø 200 mm)		
Brakes	Multifunctional brake		
Max. inclination forwards	15°		
Max. inclination backwards	7°		
Max. inclination sideways	5°		
Maximum user weight	max. <b>120 kg</b>		
Maximum basket weight	max. 5 kg		
Turning width	1400 mm		
Storage temperature	+5°C - +41°C		
We reserve the right to introduce technical changes. Measurement tolerance +/- 15 mm / 1,5 kg / °.			

First of all we wish to thank you for the trust you placed in us by selecting a **VERMEIREN** product.

Before using the rollator, read the instruction manual carefully: it will familiarise you with this product.

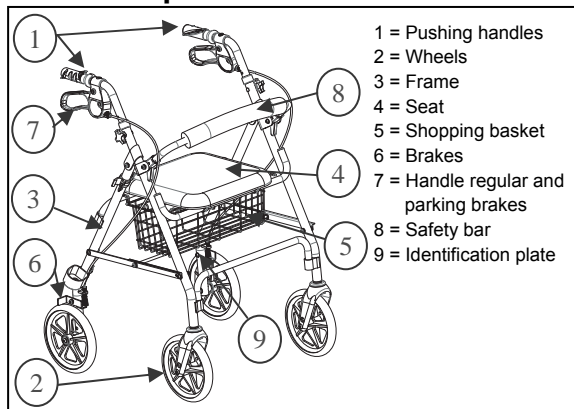
You will also be given hints about the care and service of your rollator. Please remember that observance of our hints would keep your rollator in an excellent condition of preservation and it will function perfectly even after years of use.

If you have any further questions, please consult your specialist dealer.

To find a service facility or specialist dealer near you, contact the nearest Vermeiren facility. A list of Vermeiren facilities can be found on the last page.

Visually impaired people can contact the dealer for the instructions for use.

#### 2. Components



#### 3. Explanation of symbols



Maximum mass



CE conformity



Type designation

#### 4. Check after delivery

Unpack your product and verify if the delivery is complete. Following items should be included:

- rollator frame with seat, 4 wheels (mounted)
- height adjustable pushing handles with brakes
- shopping basket
- safety bar
- manual

Verify your product for transport damage. If you find any damages after delivery proceed as follows:

- contact the transporter
- have a list made of any problems
- contact your supplier

## 5. Intended use

**⚠ WARNING: Risk of falling - Do not use the rollator if you have weak arm function or poor equilibrium.**

The rollator will compensate the lack of adequate support by the legs by leaning on, or moving with, the rollator with usage of the upper limbs or chest. The rollator will provide a better stability, support and safety during walking.

However, it cannot be used by persons with a visible weakened hand and/or arm function and also not by persons with a balance problem.

The rollator can be used indoor and outdoor. The rollator should only be used on surfaces where all four wheels are touching the ground. Not to be used on rocky terrain or steep hills (see technical details: max. inclination) so the rollator can become unstable.

The product is not meant for transport of people and/or goods. The seat can only be used when the parking brake is locked.

## 6. Fold and unfold the rollator (Fig. 1)

**⚠ WARNING: Risk of clamping - Keep fingers, buckles and clothes away from the folding mechanism.**

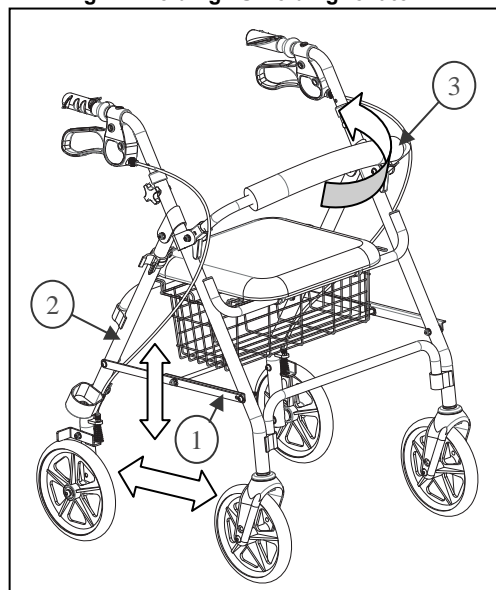
### 1. Folding rollator

- Lift the seat upwards.
- Remove the shopping basket.
- Pull the attachment plates ① a little bit upwards. **Do not place your fingers between the folding mechanism.**
- Push the rear tubes ② forwards against the front tubes to fold the rollator further.
- Fold up the safety bar ③ by pulling these upwards.

### 2. Unfolding rollator

- Pull the rear tubes ② backwards to unfold the rollator.
- Push the attachment plates ① on both sides downwards until these lock in position.
- Lift the seat upwards, if necessary.
- Place the shopping basket on the horizontal tubes where the seat rest on.
- Turn the seat downwards.
- Unfold the safety bar ③ by pulling these downwards.
- **Adjust the pushing handles to the desired height (see further).**

Fig. 1 – Folding / Unfolding rollator



## 7. Assembly

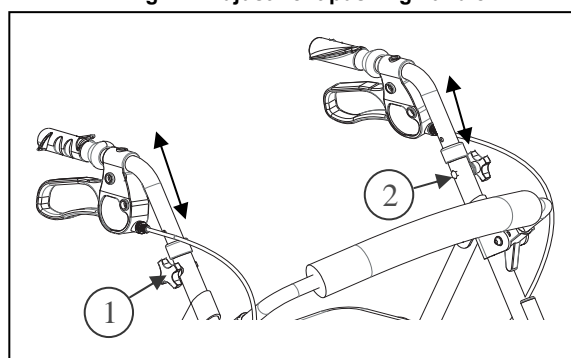
- Slide the pushing handles in the front frame.
- Unfold the rollator.
- **Adjust the pushing handles to the desired height (see further).**

## 8. Pushing handles (Fig. 2)

**⚠ CAUTION: Risk of falling - Secure the handles firmly before using the rollator.**

**⚠ CAUTION: Risk of falling - Do not exceed the maximum height adjustment of the pushing handles, your rollator will not be stable anymore.**

Fig. 2 – Adjustment pushing handle





The pushing handles can be adjusted in height by following steps:

- Loosen the star button ①.
- Remove the star button ① completely.
- Remove the bolt ② out the tube.
- Adjust the pushing handle to the desired height (7 different positions: steps from 25 mm). When standing straight, the handles should be as high as your wrists. Leave your arms hanging loose.
- Place the bolt ② back in the hole of the tube.
- Place the star button ① on the bolt ②.
- Retighten the star button ① firmly by hand.
- Adjust the other pushing handle with the same instructions.
- Check that the two pushing handles are adjusted with the same height.

### 9. Brake system (Fig. 3)

**⚠ WARNING: Good operation of the brakes is influenced by wear and contamination of the wheels (water, oil, mud, ...) - Check the condition of the wheels before each use.**

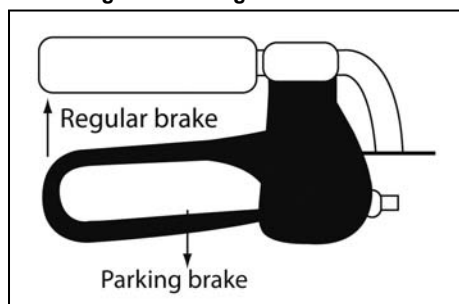
**⚠ WARNING: The brakes can wear - Check the operation of the brakes before each use.**

The rollator has been equipped with a multifunctional brake system. The brake handles underneath the pushing handles are regular brakes as well as parking brakes.

For the usage of a short brake (regular brakes), pull the brake handle upwards (toward the pushing handle).

For the usage of a long brake (parking brake), push the brake handle downwards till you hear a locking sound of the brake. The wheels (use both parking brakes left and right simultaneously) are now blocked until you pull the parking brakes upwards again.

Fig. 3 – Pushing handle / brake



### 10. Basket

**⚠ WARNING: Risk of falling, tipping over - Do not overload the shopping basket.**

The shopping basket is meant to be mounted on below the seat. Mount the shopping basket with the four clips to the two horizontal tubes were the seat rest on.

The maximum carrying weight from the shopping basket is 5 kg.

### 11. Safety instructions

- Ensure there are no stones or any other objects blocking the regular usage of the wheels of the rollator.
- Ensure the brakes or the rollator are always in parking-mode before using your rollator. When you are standing comfortable and stable, you may unlock the parking brakes.
- Risk of burns – Be careful when driving in hot or cold environments (sunshine, extreme cold, saunas, etc.) for a sufficient amount of time and when touching.
- Before every usage, check that the star buttons for your pushing handles are firmly locked.
- Verify if the safety against unwanted folding/unfolding is functioning properly.
- Only proceed moving with your rollator when you are standing comfortably and when both your hands are resting on the pushing handles.
- Do not hold the pushing handles with wet hands. If you do so, you can lose your grip and lose your balance.
- When you detect that your body is getting tired, lock the parking brakes of your rollator and have a seat on the bench.
- **The maximum users weight for your rollator is 120 kg** and can only be used on a flat underground.
  - Do not use your rollator on a staircase or bumps higher than 40 mm.
- When using the rollator outdoors, find yourself flat and stable areas to use your rollator. Avoid curbs and/or deep holes. Find a place where the curbs are bevelled.
- Do not proceed with your rollator into traffic. Always stay on the pavement.
- Avoid bumpy or sandy roads. Otherwise you might lose control over the stability of your rollator.
- Avoid roads with a very steep inclination.

- Do not use your rollator to transport people or items.
- Take note of the instructions for care and service. The manufacturer is not liable for damage caused by improper servicing/care.

## 12. Care

It is recommended to use a soapy solution for cleaning. The cleaning liquid should in any case have a pH value of at least 6. Do not use a cleaning agent which contains solvents. Observe the instructions of the cleaning liquid used. Use a damp cloth and lukewarm water for cleaning. Avoid soaking. Do not use metal brushes or any other sharp-edged or pointed cleaning utensils. In the case of damage to the varnish or the woodwork, consult your specialist dealer. Regular care would ensure that your rollator is preserved in a perfectly functional condition.

## 13. Disinfection

For sterilisation use only disinfectants suitable for treating varnished metal and wood surfaces. Observe the instructions of the cleaning liquid used. Use only proved processes (for scrubbing disinfection) and disinfectants included in the list of the Robert Koch Institute (information can be obtained from: [www.rki.de](http://www.rki.de)). Disinfections may only be undertaken by trained persons. Consult your specialist dealer.

## 14. Repairs / Service / Inspection

Lifetime of the rollator is influenced by its use, storage, regular maintenance, servicing and cleaning.

You should use only genuine VERMEIREN replacement parts. Repairs and renovations may only be undertaken by trained persons. Make use of the services offered by your specialist dealer. He would gladly assist you further in regard to service and repairs.

**Before you resume use of the rollator, it should be serviced according to the following criteria:**

- Completeness
- Folding mechanism
- Check the castors (stability, tracking, fixing screws)
- Frames (deformation, stability, connections)
- Pushing handle (safe locking from height adjustment system, good support from the handles)
- Brakes
- Seat, safety bar and shopping bag on wear or damage

- Cleaning
- **Damaged varnish (remove possible rust and repaint)**

**Every 8 weeks:**

- Lubricating (moving parts shall be greased)

**Every 6 months or for every new user, it should be serviced according to the following criteria:**

- General review
- Disinfection

## 15. Shipping and storage

The shipping and storage of the rollator shall be according following instructions:

- Store in a dry place (between +5°C and +41°C).
- The relative humidity of the air should be between 30% and 70%.
- Provide sufficient covering or packaging to protect the rollator from rust and foreign bodies (e.g. salt water, sea air, sand, dust).
- The rollator must be stored without being subjected to strains. (Do not put too heavy parts on the rollator, not clamping between something, ...)

## 16. Warranty

Excerpt from the "General Business Conditions".

(...)

5. The terms of the guarantee may differ from country to country. Consult your specialist dealer for the guarantee period for warranty claims.

(...)

The warranty excludes damage arising from structural changes to our products, insufficient maintenance, defective or improper handling or storage or the use of non-original parts.

Likewise, the warranty excludes parts or working parts subject to natural wear and tear.

## 17. Disposal

When disposing of the rollator, contact your local disposal centre or return the product to your specialist dealer who, after submitting it to a hygienic procedure, will be able to send it back to the manufacturer who will dispose of and recycle it correctly, separating it into its component materials.

Packaging materials can be taken to disposal or recycling centers or to your specialist dealer.



## 18. Declaration of conformity

***The manufacturer or his authorized representative :***

N.V. VERMEIREN N.V

***Address :***

Vermeirenplein 1/15

2920 Kalmthout

Belgium

***declares under his sole responsibility that the CE marked devices :***

Productgroup: Rollators

Productgroup (GMDN): Walker, foldable (GMDN 37951)

FAMHP (FAGG) registration

number: BE/CA01/11/2-02965-26-CLI

Brand: Vermeiren

Type: 251, 253, 275, 275BIS, 266, 286B, 286D, 286E, Streeter, 201 //  
Delta, 4-light, ECO-Light, Quadri-Light

***have been classified as class I, according to annex IX MDD 93/42/EEC, rule 1,***

***and is manufactured in full conformity with the European instructions below -  
including the latest modifications - and with the national law, that organizes  
this directions :***

Medical devices directive MDD 93/42/EEC: 2007

***and is in conformity with the relevant European harmonized standards:***

EN 12182: 2012, EN 1985: 1999, EN ISO 11199-2: 2005



## MANUEL D'INSTRUCTION

### Rollator à 4 roues Eco-Light

#### 1. Caractéristiques techniques

**⚠ AVERTISSEMENT : Risque de réglages dangereux - N'utilisez que les réglages décrits dans ce manuel.**

Marque	Vermeiren		
Adresse	Vermeirenplein 1 / 15 B-2920 Kalmthout		
Type	Rollator		
Modèle	Eco-Light		
Largeur (déplié)	600 mm		
Largeur (plié)	600 mm		
Longueur (déplié)	760 mm (avec panier) 670 mm (sans panier)		
Longueur (plié)	345 mm (Poignées est monté la hauteur plus basse) 270 mm (Poignées est démonté)		
Hauteur maximale	950 mm		
Hauteur minimale	820 mm		
Hauteur (plié)	980 mm		
Distance entre les poignées	480 mm		
Hauteur du siège	550 mm		
Largeur d'assise	410 mm		
Profondeur du siège	340 mm		
Poids	<b>7,00 kg</b>	Panier compris	7,60 kg
Roues	8 x 1 ¼ (Ø 200 mm)		
Freins	Frein multifonction		
Max. inclinaison avant	15°		
Max. inclinaison en arrière	7°		
Max. inclinaison en latérale	5°		
Poids maxi utilisateur	Max. 120 kg		
Charge maxi du panier	Max. 5 kg		
Rayon de braquage	1400 mm		
Température de stockage	+5°C - +41°C		
Nous nous réservons le droit d'apporter des modifications. Tolérance de mesures ± 15 mm / 1,5 kg / °.			

Nous tenons tout d'abord à vous remercier pour la confiance que vous nous accordez en optant pour un produit **VERMEIREN**.

Avant d'utiliser le Rollator, lisez attentivement le mode d'emploi; il vous permettra de vous familiariser avec la manipulation de ce produit.

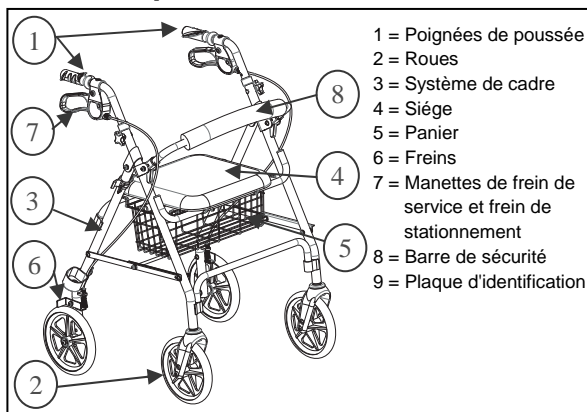
Il contient également des instructions sur l'entretien de votre Rollator. N'oubliez pas que le respect de nos instructions vous permettra de conserver votre Rollator en parfait état de conservation et de fonctionnement, même après des années d'utilisation.

Pour toute question, consultez votre distributeur.

Pour trouver un service d'entretien ou un revendeur spécialisé près de chez vous, contactez l'établissement Vermeiren le plus proche. Vous trouverez une liste des établissements sur la dernière page.

Les personnes souffrant de problèmes visuels peuvent prendre contact avec le commerçant pour les instructions d'utilisation.

#### 2. Composants



#### 3. Explication des symboles



Poids maximum



Conformité CE



Désignation type

#### 4. Contrôle lors de la réception

Déballer le produit et contrôlez si la livraison est complète. Se trouvent dans le paquet:

- le système de cadre de Rollator avec le siège et les 4 roues (prémontées)
- les poignées coulissantes réglables en hauteur, y compris la poignée de frein et la manette
- panier
- barre de sécurité
- mode d'emploi

Vérifiez bien que le colis n'ait pas subi de dégâts pendant le transport. Si vous constatez que ce produit ou le colis présente, contre toute attente, des défauts, procédez comme suit:

- Déposez immédiatement une déclaration auprès du transporteur;
- Faites enregistrer les dégâts;
- Informez votre revendeur immédiatement.

## 5. Utilisation

**⚠ AVERTISSEMENT : Risque de chute - N'utilisez pas le Rollator si vous avez les bras fébriles ou des problèmes d'équilibre.**

Le Rollator sert à compenser la diminution de la résistance ou de la capacité des extrémités inférieures par l'utilisation de la force ou du soutien des extrémités supérieures ou du tronc, et à assister et assurer la marche. Il ne faut pas utiliser le Rollator pour des personnes qui souffrent d'une réduction des fonctions des mains/bras ou d'importants troubles de l'équilibre.

Il peut s'utiliser aussi bien à l'intérieur qu'à l'extérieur.

Le Rollator doit être utilisé sur des surfaces où les 4 roues sont en contact avec le sol. Ne pas utiliser sur des terrains rocheux ou pentes raides (voir les détails techniques: inclinaison maxi) le Rollator deviendrait instable.

Le produit ne peut être utilisé pour transporter des personnes et/ou des objets. La surface d'assise ne peut servir de siège que lorsque le frein de stationnement est enclenché.

## 6. Plier et déplier le rollator (Fig. 1)

**⚠ AVERTISSEMENT : risque de coincement – Maintenez vos doigts, boucles (de ceinture) et vêtements à l'écart du mécanisme de pliage.**

### 1. Plier le Rollator

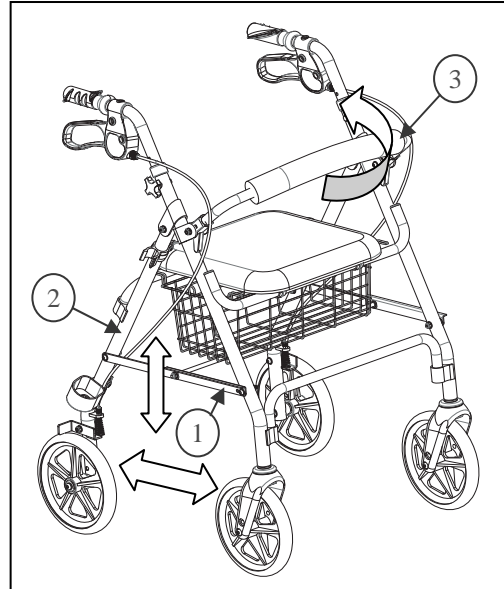
- Levez le siège vers le haut.
- Enlevez le panier à provisions.
- Tirez un petit peu vers le haut les plaques de fixation ①. **Ne mettez pas vos doigts entre le mécanisme de pliage.**
- Poussez les tubes arrière ② vers l'avant contre les tubes avant pour plier complètement le rollator.
- Repliez la barre de sécurité ③ en la poussant vers le haut.

### 2. Déplier le rollator

- Tirez les tubes avant ② vers l'arrière pour déplier le rollator.
- Poussez les plaques de fixation ① des deux côtés vers le bas jusqu'à ce qu'elles se bloquent en position.
- Soulevez le siège vers le haut, si nécessaire.
- Placez le panier à provision sur les tubes horizontaux qui supportent le siège.
- Tournez le siège vers le bas.
- Dépliez la barre de sécurité ③ en la tirant vers le bas.

- Ajustez les poignées de poussée à la hauteur souhaitée (voir ci-après).

Fig. 1 – Plier / déplier le rollator



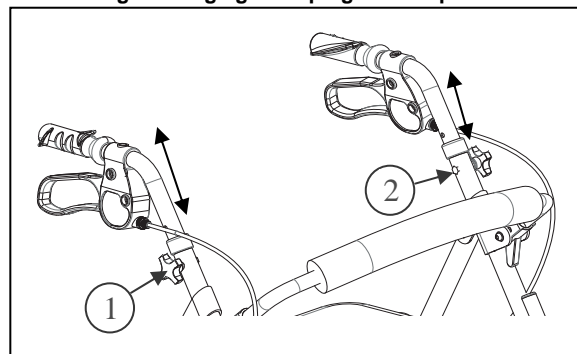
## 7. Assemblage

- Glissez les poignées de poussée dans le châssis avant.
- Dépliez le rollator.
- Ajustez les poignées de poussée à la hauteur souhaitée (voir ci-après).

## 8. Poignées de poussée (Fig. 2)

- ⚠ ATTENTION : risque de chute - Fixez fermement les poignées avant d'utiliser le rollator.**
- ⚠ ATTENTION : risque de chute - Ne dépassez pas le réglage de la hauteur maximale des poignées de poussée, car votre rollator ne sera plus stable.**

Fig. 2 – Réglage des poignées de poussée



Suivez la procédure ci-dessous pour ajuster la hauteur des poignées de poussée :

- Dévissez le bouton étoile ①.
- Enlevez complètement le bouton étoile ①.
- Enlevez le boulon ② du tube.

- Ajustez la poignée de poussée à la hauteur souhaitée (7 positions différentes: écarts de 25 mm). Quand vous êtes debout, les poignées doivent arriver à hauteur de vos poignets. Pour ce faire, laissez vos bras pendre.
- Remplacez le boulon ② dans le trou du tube.
- Placez le bouton étoile ① sur le boulon ②.
- Resserrez fermement à main le bouton étoile ①.
- Ajustez l'autre poignée de poussée en suivant la même procédure.
- Contrôlez si les deux poignées de poussée sont bien à la même hauteur.

### 9. Système de freinage (Fig. 3)

⚠ **AVERTISSEMENT** : Le bon fonctionnement des freins dépend de l'usure et de l'état des pneus (eau, huile, boue, ...). Vérifiez l'état des pneus avant chaque utilisation.

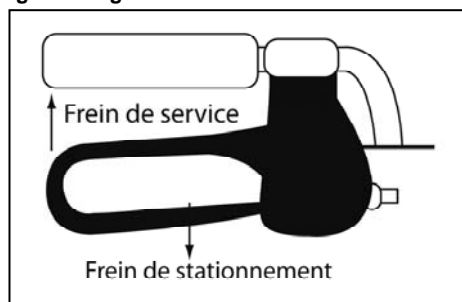
⚠ **AVERTISSEMENT** : Les freins peuvent s'user. Contrôlez le fonctionnement des freins avant chaque utilisation.

Votre Rollator est équipé d'un frein multifonction. Les manettes de frein, placées sous chaque poignée, servent à la fois de frein de service et de frein de stationnement.

Pour un freinage de courte durée (frein de service), tirez la manette de frein vers le haut en direction de la poignée.

Pour un freinage durable du Rollator (frein de stationnement), poussez la manette de frein complètement vers le bas jusqu'à ce que vous entendiez et sentiez un déclic. La roue ainsi freinée est bloquée jusqu'à ce que vous repoussiez la manette de frein vers le haut. Pour bloquer temporairement les deux roues, faites cette manœuvre sur les deux freins (gauche et droit).

Fig. 3 – Poignée coulissante / manette de frein



### 10. Panier

⚠ **AVERTISSEMENT** : Risque de chute, risque de basculement - Ne surchargez pas le panier.

Le panier à provisions est prévu pour être installé sous le siège. A l'aide des quatre clips, installez le panier à provisions sur les deux tubes horizontaux qui supportent le siège.

La charge maxi supportée par le panier est de 5kg.

### 11. Consignes de sécurité

- Vérifiez qu'il n'y ait pas de cailloux ou autres objets dans les surfaces de roulement des roues.
- Vérifiez toujours que les freins se trouvent d'abord en position de stationnement avant d'utiliser le Rollator. Ne relâchez les freins de stationnement qu'une fois que vous en êtes sûr.
- Risque de brûlures – Soyez prudents lorsque vous conduisez dans des environnements chauds ou froids (soleil, froid extrême, saunas, etc.) de disposer d'assez de temps et lors des contacts.
- Vérifiez que le bouton étoile des poignées coulissantes soit serré avant d'utiliser le Rollator.
- Vérifiez que la sécurité contre le plier/dépliage involontaire du Rollator soit bien enclenchée.
- Ne commencez à avancer que lorsque vous êtes bien droit et que vous avez saisi les poignées avec vos deux mains.
- Ne saisissez pas les poignées si vous avez les mains humides - elles pourraient glisser et vous faire perdre prise.
- Si vous ressentez de la fatigue pendant que vous marchez, asseyez-vous sur le siège. Placez les freins en position de stationnement avant de vous asseoir.
- **Le produit supporte une charge maximale de 120 kg** et ne peut être utilisé que sur des chemins plats. N'empruntez pas avec votre Rollator des escaliers ou des paliers dont la hauteur dépasse 40 mm max.
- Lors de l'utilisation à l'extérieur, empruntez uniquement des chemins plats et évitez les bordures hautes. Évitez les bordures et / ou les trous profonds. Cherchez un endroit où la bordure est surbaissée.
- Ne vous promenez pas avec votre Rollator au milieu du flot du trafic. Empruntez des trottoirs plats.
- Évitez d'aller sur les pavés ou sur des surfaces de ce type - Vous pourriez perdre le contrôle de votre Rollator.
- Éviter d'utiliser le Rollator sur des chemins à forte pente montante ou descendante.

- N'utilisez pas votre Rollator pour transporter des objets ou des personnes (siège).
- Suivez les instructions pour les soins et le contrôle. Le fabricant n'offre aucune garantie si le siège si celui-ci n'est pas utilisé conformément à sa destination et si les contrôles mentionnés dans le mode d'emploi n'ont pas été effectués.

## 12. Entretien

Pour le nettoyage, il est préférable d'utiliser une solution savonneuse. Dans tous les cas, le produit de nettoyage doit avoir un pH de 6 min. N'utilisez pas de produits de nettoyage contenant du dissolvant. Suivez les instructions fournies avec le produit d'entretien. Pour le nettoyage, utilisez un chiffon humide et de l'eau tiède. Évitez de nettoyer à grandes eaux. N'utilisez pas de brosses métalliques ou autres ustensiles de nettoyage à arêtes vives ou pointus. S'il y a des dégâts sur la peinture ou le revêtement, adressez-vous à votre revendeur. Un entretien régulier permet de garder votre Rollator en parfait état.

## 13. Désinfection

Pour la désinfection, utilisez uniquement les produits désinfectants pour les métaux et les surfaces en bois peints. Suivez les instructions fournies avec le produit d'entretien. La désinfection par brossage ne peut être effectuée qu'avec les solutions de produit désinfectant et les dilutions d'utilisation reprises dans les recommandations du Robert-Koch Institut ([www.rki.de](http://www.rki.de)). La désinfection ne peut être effectuée que par un spécialiste en hygiène ou par une personne formée par un tel spécialiste. Contactez votre revendeur.

## 14. Réparation / entretien / inspection

La durée de vie du Rollator est influencée par son utilisation, de son stockage, de sa maintenance régulière, de l'entretien et du nettoyage.

Utilisez uniquement des pièces d'origine VERMEIREN. Les réparations et les dépannages ne peuvent être effectués que par un personnel formé à cet effet. Utilisez le service après-vente de votre revendeur. Il vous aidera volontiers lors de l'entretien et de la réparation.

**Avant tout déplacement, votre Rollator doit faire l'objet d'une inspection. Les critères suivants sont contrôlés à cette occasion:**

- Complétude de produit
- Mécanisme pliant
- Contrôle des roues (profil, soutien, alignement, fixations)
- Cadre (déformation, stabilité statique, fixations par vis)
- Poignées coulissantes (blocage de la sécurité du réglage en hauteur, bon soutien des poignées coulissantes)
- Freins
- Siège, barre de sécurité et le panier doivent être contrôlés pour les dommages
- Nettoyage
- **Dégâts sur la peinture (éliminer les points de rouille et retoucher la peinture)**

### Toutes les 8 semaines :

- Graissage (les liaisons mobiles doivent être graissées)

### Tout les 6 mois ou pour tout nouvel utilisateur les points suivants doivent être respectés:

- Révision générale
- Désinfection

## 15. Expédition et stockage

Respectez les instructions suivantes pour l'emballage ou le stockage du Rollator :

- Stocker uniquement dans des endroits secs (entre +5°C et +41°C).
- À une humidité relative de 30 % à 70 %.
- Utilisez suffisamment de protections ou emballages pour mettre le fauteuil roulant à l'abri de la rouille et des corps étrangers (Par exemple eau salée, air salin, sable, poussière).
- Tous les composants doivent être conservés sans la moindre charge. (ne pas placer d'objets trop lourds sur le Rollator, ne rien insérer entre les éléments...)

## 16. GARANTIE

Extrait des conditions générales de vente :

(...)

5. Les conditions de garantie sont susceptibles de varier d'un pays à l'autre. Consultez votre spécialiste pour la durée de garantie.

(...)

La garantie exclut les dommages liés à des modifications structurelles apportées à nos produits, à une maintenance insuffisante, à une manipulation ou un stockage déficients ou inappropriés ou à l'utilisation de pièces autres que les pièces d'origine.

Par ailleurs, la garantie exclut les pièces ou pièces de travail soumises à une usure naturelle.

## 17. Mise au rebut

Lors de la mise ou rebut du Rollator, contactez votre centre de collecte local ou retournez le produit à votre distributeur. Après un nettoyage hygiénique, celui-ci peut renvoyer le Rollator au fabricant. qui se chargera de sa mise au rebut et de son recyclage corrects, en le séparant en différents matériaux entrant dans sa composition.

Les emballages peuvent être déposés dans des centres de collecte ou de recyclage ou après de votre distributeur.

## 18. Déclaration de conformité

***Le fabricant ou son mandataire :***

N.V. VERMEIREN N.V

***Adresse :***

Vermeirenp plein 1/15  
2920 Kalmthout  
Belgique

***déclare sous sa propre responsabilité, que les dispositifs avec marquage CE :***

Produit groupe:	Rollators
Produit groupe (GMDN):	Cadre de marche, pliant (GMDN 37951)
AFMPS (FAGG) numéro d'immatriculation:	BE/CA01/11/2-02965-26-CLI
Marque:	Vermeiren
Type:	251, 253, 275, 275BIS, 266, 286B, 286D, 286E, Streeter, 201 // Delta, 4-light, ECO-Light, Quadri-Light

***sont classés dans la classe I, suivant l'annexe IX 93/42/CEE, règle 1,***

***et ont été fabriqués en complète concordance avec les directives sous-mentionnées -y compris les dernières modifications - et avec la loi nationale qui organise ces directives :***

Dispositifs médicaux directive 93/42/CEE: 2007

***et sont conforme aux normes harmonisées européennes relevantes :***

EN 12182: 2012, EN 1985: 1999, EN ISO 11199-2: 2005



## INSTRUCTIE HANDLEIDING

### 4-wielen rollator Eco-Light

#### 1. Technische gegevens

**⚠ WAARSCHUWING: Risico bij onveilige instellingen - Gebruik enkel de instellingen beschreven in deze handleiding.**

Merk	Vermeiren	
Adres	Vermeirenplein 1 / 15 B-2920 Kalmthout	
Type	Rollator	
Model	Eco-Light	
Breedte (ontvouwen)	600 mm	
Breedte (opgevouwen)	600 mm	
Lengte (ontvouwen)	760 mm (met mandje) 670 mm (zonder mandje)	
Lengte (opgevouwen)	345 mm (handgrepen gemonteerd in de laagste hoogte) 270 mm (handgrepen gedemonteerd)	
Maximum hoogte	950 mm	
Minimum hoogte	820 mm	
Hoogte (opgevouwen)	980 mm	
Afstand tussen de handgrepen	480 mm	
Zithoogte	550 mm	
Zitbreedte	410 mm	
Zitdiepte	340 mm	
Gewicht	<b>7,00 kg</b>	met mandje 7,60 kg
Wielen	8 x 1 ¼ (Ø 200 mm)	
Remmen	Multifunctionele rem	
Max. helling voorwaarts	15°	
Max. helling achterwaarts	7°	
Max. helling zijwaarts	5°	
Maximum gebruikersgewicht	max. <b>120 kg</b>	
Maximum gewicht mandje	max. 5 kg	
Draaicirkel	1400 mm	
Opslag temperatuur	+5°C - +41°C	
We behouden ons het recht voor om technische wijzigingen te introduceren. Meettolerantie ± 15 mm / 1,5 kg / °		

We willen U danken voor het vertrouwen dat U in de producten van **VERMEIREN** stelt.

Voor U de rollator gebruikt, dient U de handleiding aandachtig te lezen zodat U vertrouwd raakt met het product.

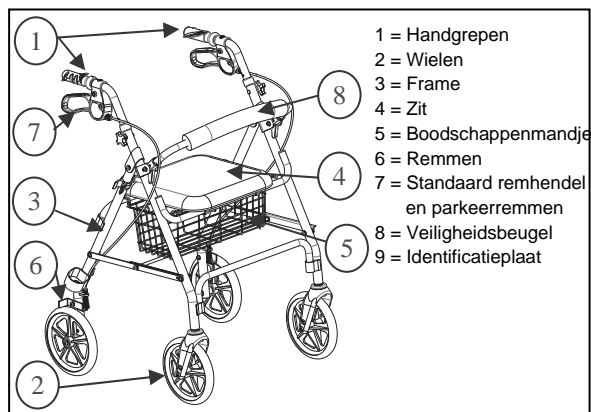
Daarnaast bevat deze handleiding tips voor het verzorgen en onderhouden van de rollator. Houd er rekening mee dat bij het naleven van onze adviezen Uw rollator ook na jaren gebruik nog in perfecte staat is en perfect functioneert.

Als U nog vragen hebt, neemt U best contact op met Uw vakhandelaar.

Om een servicepunt of vakhandelaar in Uw buurt te vinden, neemt U contact op met de dichtstbijzijnde Vermeiren faciliteit. Een lijst van de Vermeiren faciliteiten zijn terug te vinden op de laatste bladzijde.

Mensen met een visuele beperking kunnen contact opnemen met de vakhandelaar voor de gebruikersinstructies.

#### 2. Onderdelen



#### 3. Gebruikte symbolen



Maximum gewicht



CE conformiteit



Type aanduiding

#### 4. Controle bij ontvangst

Pak het product uit en controleer of de levering volledig is. In het pakket zitten:

- rollator frame met zit, 4 wielen (gemonteerd)
- in de hoogte verstelbare handgrepen met rem
- boodschappenmandje
- veiligheidsbeugel
- handleiding

Controleer de zending zorgvuldig op transportschade. Wanneer U vaststelt dat het product na de zending toch een defect vertoont, moet U het volgende doen:

- Neem contact op met de transporteur.
- Laat een verslag opmaken van de schade
- Neem direct contact op met de vakhandelaar

## 5. Gebruik

**⚠ WAARSCHUWING: Gevaar op vallen - Gebruik de rollator niet als Uw armen zwak functioneren of bij een slecht evenwicht.**

Door met de bovenste ledematen of de romp op de rollator te steunen of deze te verschuiven, compenseert de rollator de verminderde belastbaarheid of de kracht van de onderste ledematen. Bovendien zorgt deze voor een betere steun en veiligheid bij het gaan.

De rollator mag niet worden gebruikt door mensen met een duidelijk verzwakte hand-/arm functie of met duidelijke evenwichtsstoornissen.

De rollator kan zowel binnen als buiten gebruikt worden.

De rollator mag alleen worden gebruikt op een vlakke ondergrond waarbij alle vier de wielen de grond raken. Gebruik de rollator niet op een rotsachtig terrein of steile hellingen (zie technische gegevens: max. helling) anders kan de rollator onstabiel worden.

Het product mag evenmin worden gebruikt voor het transporteren van personen en/of goederen. Het zitvlak dient alleen als zitje wanneer de parkeerrem is vastgezet.

## 6. Op- en openvouwen van de rollator (Fig. 1)

**⚠ WAARSCHUWING: Risico op klemmen - Houd uw vingers, gespen en kledij uit de buurt van het vouwmechanisme.**

### 1. Opvouwen rollator

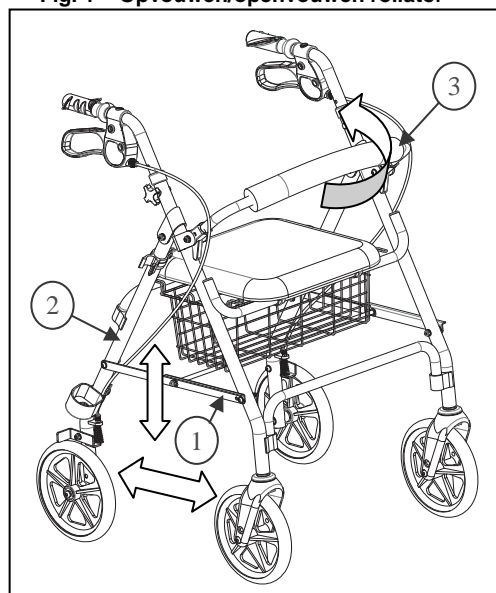
- Til het zitbankje naar boven.
- Verwijder het booschappenmandje.
- Trek de bevestigingsplaten ① een klein beetje naar boven. **Plaats Uw vingers niet tussen het vouwmechanisme.**
- Duw de achterste buizen ② naar voren tegen de voorste buizen om de rollator verder op te vouwen.
- Vouw de veiligheidsbeugel ③ op door deze naar boven te duwen.

### 2. Openvouwen rollator

- Trek de achterste buizen ② naar achteren om de rollator open te vouwen.
- Duw de bevestigingsplaten ① aan beide kanten naar boven tot deze terug in de juiste positie vast staan.
- Til het zitbankje naar boven, indien nodig.

- Plaats het booschappenmandje op de horizontale buizen waar het zitbankje op rust.
- Draai het zitbankje naar beneden.
- Vouw de veiligheidsbeugel ③ open door deze naar beneden te duwen.
- **Verstel de handgrepen naar de gewenste hoogte (zie verder).**

Fig. 1 – Opvouwen/openvouwen rollator



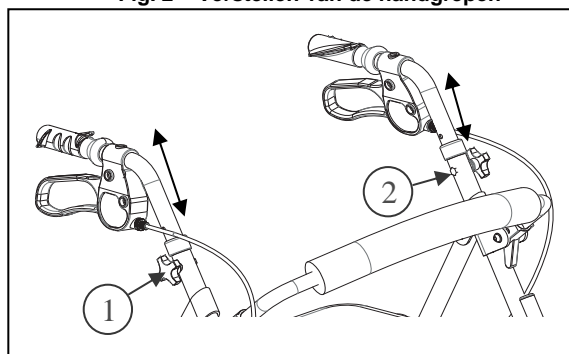
## 7. Montage

- Schuif de handgrepen in het voorste frame.
- Vouw de rollator open.
- **Verstel de handgrepen naar de gewenste hoogte (zie verder).**

## 8. Handgrepen (Fig. 2)

- ⚠ VOORZICHTIG: Gevaar op vallen - Maak de handgrepen voor gebruik steeds stevig vast.**
- ⚠ VOORZICHTIG: Gevaar op vallen - Zet de handgrepen nooit boven de maximum verstelhoogte, anders wordt de rollator onstabiel.**

Fig. 2 – Verstelen van de handgrepen



De handgrepen kunnen met volgende instructies worden versteld:

- Draai de sterknop ① los.
- Verwijder de sterknop ① volledig.
- Verwijder de bout ② uit de buis.
- Verstel de handgreep naar de gewenste hoogte (7 verschillende posities: stappen van 25 mm). Als u recht staat, moeten de handgrepen ter hoogte van uw pols komen. Laat hierbij de armen losjes hangen.
- Plaats de bout ② terug in de boring van de buis.
- Plaats de sterknop ① op de bout ②.
- Draai de sterknop ① terug goed vast met de hand.
- De andere handgreep kan met dezelfde instructies worden versteld.
- Controleer dat de twee handgrepen op dezelfde hoogte zijn ingesteld.

### 9. Remsysteem (Fig. 3)

⚠ **WAARSCHUWING:** De werking van de rem wordt beïnvloed door slijtage en vervuiling van de wielen (water, olie, slijk, ...) - Controleer voor elk gebruik de staat van de wielen.

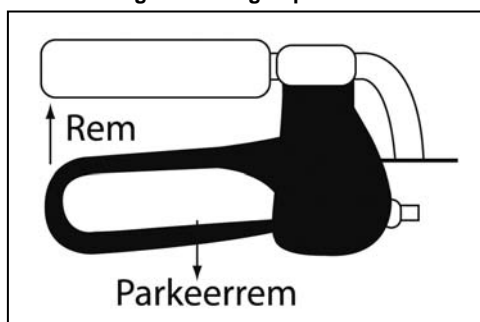
⚠ **WAARSCHUWING:** De remmen kunnen verouderen - Controleer voor elk gebruik de goede werking van de remmen.

De rollator is uitgerust met een multifunctionele rem. De rem hendels onder de handgrepen zijn zowel een gewone rem als een parkeerrem.

Voor het kort remmen (gewone rem) trekt U de rem hendel naar boven in de richting van de handgreep.

Voor het langer remmen van de rollator (parkeerrem) duwt U de rem hendel volledig omlaag tot deze hoorbaar en voelbaar vastklikt. De geremde wielen zijn geblokkeerd tot U de parkeerrem hendel weer omhoog trekt. Om beide wielen even te blokkeren moet U de parkeerrem links en rechts tegelijk gebruiken.

Fig. 3 – Handgreep / rem



### 10. Mandje

⚠ **WAARSCHUWING:** Gevaar op vallen, kantelgevaar- Overlaad het boodschappenmandje niet.

Het boodschappenmandje wordt onder het zitbankje gemonteerd. Monteer het boodschappenmandje met de vier clips aan de twee horizontale buizen waar het zitbankje op ligt.

Het maximum draaggewicht van het mandje is 5 kg.

### 11. Veiligheidsinstructies

- Let erop dat er geen stenen of andere voorwerpen in de loopvlakken van de wielen zitten, en deze kunnen blokkeren.
- Voor ieder gebruik moet U erop letten dat de rem altijd in de parkeerstand is gezet. Pas wanneer U stevig staat, mag U de parkeerrem loszetten.
- Gevaar voor brandwonden – Wees voorzichtig bij het rijden in extreem warme of koude omgevingen (zon, extreme kou, sauna's, enz.) voor een bepaalde tijd en bij het aanraken.
- Controleer voor ieder gebruik of de sterknoppen van de handgrepen goed zijn vastgedraaid.
- Controleer of de beveiliging tegen ongewild opvouwen/opeenvouwen is geblokkeerd.
- Zet pas de eerste stappen wanneer U goed rechtstaat en met beide handen de handgrepen stevig hebt vastgenomen.
- De handgrepen niet met natte handen vastnemen. Anders kan U wegglijden en het evenwicht verliezen.
- Wanneer U bij het stappen vaststelt dat U moe wordt, dient U even te gaan zitten op het zitbankje. Zet de rem wel eerst in de parkeerstand.
- **Het product mag met max. 100 kg worden belast** en mag alleen op een vlakke ondergrond worden gebruikt. Rij met de rollator niet op trappen of op een opstapje dat hoger is dan 40 mm.
- Wanneer U de rollator buitenshuis gebruikt, mag U alleen op vlakke wegen stappen en moet U hoge boordstenen vermijden. Vermijd stoepranden en / of diepe putten. Zoek een plaats waar de boordstenen zijn afgeschuind.
- Begeef U met Uw rollator niet in het wegverkeer. Gebruik effen voetpaden.
- Vermijd kasseiwegen of gelijkaardige wegen. Anders kunt U de controle over de rollator verliezen.



- Vermijd sterk hellende wegen.
- Gebruik de rollator niet om voorwerpen of personen (zitvlak) te transporteren.
- Volg de instructies voor verzorging en controles. De fabrikant is niet aansprakelijk voor schade die werd veroorzaakt door niet juiste controles / verzorging.

## 12. Verzorging

Voor het reinigen gebruikt U best een zeepoplossing. Het reinigingsmiddel moet in ieder geval een pH-waarde van min. 6 hebben. Gebruik geen reinigingsmiddelen op basis van oplosmiddelen. Volg de aanwijzingen op de betreffende verzorgingsmiddelen. Voor het reinigen gebruikt U een vochtige doek en lauw water. Maak het product niet te nat. Gebruik geen metaalborstels of andere scherpe reinigingsmiddelen. Bij schade aan de lak of de bekleding dient U contact op te nemen met de vakhandelaar. Door een regelmatig onderhoud blijft de rollator perfect functioneren.

## 13. Desinfecteren

Voor het desinfecteren gebruik alleen desinfectiemiddelen voor geschilderde metalen en houtoppervlakken. Volg de aanwijzingen op de betreffende verzorgingsmiddelen. De schuurdesinfectie mag alleen worden gebruikt met de desinfectieoplossingen en de gebruiksverduunningen die zijn aanbevolen door het Robert-Koch-Instituut ([www.rki.de](http://www.rki.de)). De desinfectie mag alleen door een geschoolde sanitaire medewerker of een door hem/haar opgeleide persoon worden uitgevoerd. Neem contact op met de vakhandelaar.

## 14. Reparatie / Onderhoud / Inspectie

De verwachte levensduur van de rollator wordt beïnvloed door het gebruik, opslag, regelmatig onderhoud en schoonmaak.

Gebruik alleen originele onderdelen van VERMEIREN. Reparaties mogen alleen door speciaal opgeleid personeel worden uitgevoerd. Maak gebruik van de services van de vakhandelaar. Hij helpt U graag bij het onderhouden en repareren van onze producten.

**Voor elk gebruik moet Uw rollator worden geïnspecteerd. Hierbij moeten de volgende punten worden gecontroleerd:**

- Volledigheid
- Vouwmechanisme

- Controle van de wielen (steun, spoor, bevestigingsschroeven)
- Frame (vervorming, stabiliteit, bevestigingen)
- Handgrepen (veilige blokkering van de hoogte verstelling, goede steun van de handgrepen)
- Remmen
- Zitbankje, veiligheidsbeugel en boodschappenmandje controleren op beschadigingen.
- Schoonmaken
- **Lakschade (eventuele roestplekken verwijderen en met lak behandelen)**

### Om de 8 weken:

- Smering (bewegende verbindingen moeten zijn ingevet)

### Elke 6 maanden of voor elke nieuwe gebruiker moeten volgende punten geïnspecteerd worden:

- Algemeen nazicht
- Desinfecteren

## 15. Verpakking en opslag

Om de rollator te verpakken of te bewaren dienen volgende instructies te worden gevolgd:

- Alleen in een droge ruimte opslagen (tussen +5°C en +41°C).
- De relatieve luchtvochtigheid van 30% tot 70%.
- Beschermen door voldoende afdekking of verpakking tegen roest en binnendringen van vreemde voorwerpen (bijv. zout water, zeelucht, zand, stof)
- Alle componenten moeten onbelast worden bewaard. (geen te zware voorwerpen op de rollator onderdelen leggen, nergens tussen klemmen, ...)

## 16. GARANTIE

Uittreksel uit de "Algemene bedrijfsvoorwaarden":

(...)

5. De garantievooraarden kunnen van land tot land verschillen. Raadpleeg Uw vakhandelaar voor de verjaringstermijn voor garantie aanspraken.

(...)

Wij zijn niet aansprakelijk voor schade die ontstaat door constructieve wijzigingen aan onze producten, gebrekkig onderhoud, gebrekkige of onoordeelkundige behandeling of bewaring of gebruik van niet-originele wisselstukken.

De garantie op slijtgedelen of onderdelen die onderhevig zijn aan een natuurlijke slijtage, is eveneens uitgesloten.

## 17. Afvalverwerking

Als U de rollator wilt wegdoen, stelt U zich in verbinding met de plaatselijke verantwoordelijken of bezorgt U het product terug bij de vakhandel. Deze kan, na hygiënische reiniging, de rollator aan de fabrikant terugsturen. De fabrikant kan voor vakkundige verwerking en hergebruik (gescheiden naar grondstof) zorg dragen. Verpakkingsmateriaal kan bij de betreffende verwerkingsplaatsen en hergebruikinstellingen of bij Uw vakhandelaar afgegeven worden.

## 18. Verklaring van overeenstemming

**De fabrikant of zijn gevolmachtigde vertegenwoordiger :**

N.V. VERMEIREN N.V

**Adres :**

Vermeirenplein 1/15  
2920 Kalmthout  
België

**verklaart geheel onder zijn eigen verantwoordelijkheid, dat de CE gemarkeerde hulpmiddelen :**

Productgroep :	Rollatoren
Productgroep (GMDN):	Looprek, opvouwbaar (GMDN 37951)
FAGG registratie nummer:	BE/CA01/11/2-02965-26-CLI
Merk :	Vermeiren
Type :	251, 253, 275, 275BIS, 266, 286B, 286D, 286E, Streeter, 201 // Delta, 4-light, ECO-Light, Quadri-Light

**zijn geklassificeerd als klasse I, volgens bijlage IX MDD 93/42/EEG, regel 1,**

**en vervaardigd zijn in volledige overeenstemming met de onderstaande Europese richtlijnen - inclusief de laatste wijzigingen - en met de nationale wet, die deze richtlijnen organiseert :**

Medische hulpmiddelen richtlijn MDD 93/42/EEG: 2007

**en in overeenstemming zijn met de relevante Europese geharmoniseerde normen :**

EN 12182: 2012, EN 1985: 1999, EN ISO 11199-2: 2005

## GEBRAUCHSANWEISUNG

### Eco-Light Rollator mit 4 Rollen

#### 1. Technische Angaben

**⚠ WARNUNG: Nutzen Sie das Produkt nur gemäß den technischen Vor- und Angaben dieser Gebrauchsanweisung.**

<b>Hersteller</b>	Vermeiren		<b>CE</b>
<b>Adresse</b>	Vermeirenplein 1/15 B-2920 Kalmthout		
<b>Typ</b>	Rollator		
<b>Modell</b>	Eco-Light		
Breite (ausgeklappt)	600 mm		
Breite (zusammengeklappt)	600 mm		
Länge (ausgeklappt)	760 mm (mit Korb) 670 mm (ohne Korb)		
Länge (zusammengeklappt)	345 mm (Schiebegriffe montiert in der niedrigsten Höhe) 270 mm (Schiebegriffe nicht montiert)		
Maximale Höhe	950 mm		
Mindesthöhe	820 mm		
Höhe (zusammengeklappt)	980 mm		
Abstand zwischen Handgriffe	480 mm		
Sitzhöhe	550 mm		
Sitzbreite	410 mm		
Sitztiefe	340 mm		
Gewicht	<b>7,00 kg</b>	Inkl. Korb	7,60 kg
Räder	8 x 1 ¼ (Ø 200 mm)		
Bremsen	Multifunktionsbremse		
Max. Neigung nach vorn	15°		
Max. Neigung rückwärts	7°		
Max. Neigung seitwärts	5°		
Max. zulässiges Patientengewicht	max. <b>120 kg</b>		
Max. Belastung Korb	max. 5 kg		
Wenderadius	1400 mm		
Temperaturbereich für Lagerung	+5°C - +41°C		
Technische Änderungen vorbehalten. Maßtoleranz ± 15 mm / 1,5 kg / °.			

Zunächst möchten wir uns für das Vertrauen bedanken, das Sie in uns gesetzt haben, indem Sie sich für ein **VERMEIREN**-Produkt entschieden haben.

Lesen Sie vor dem Gebrauch des Rollators gründlich die Gebrauchsanweisung; sie soll Sie im Umgang mit diesem Produkt vertraut machen.

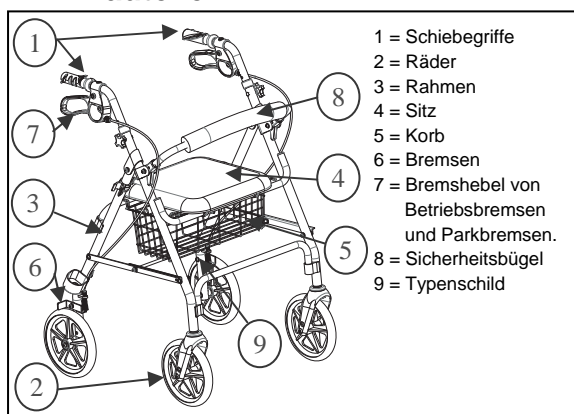
Außerdem enthält sie auch Hinweise zur Pflege und Wartung Ihres Rollators. Bitte bedenken Sie, dass die Beachtung unserer Hinweise Ihren Rollator auch nach Jahren des Gebrauchs in ausgezeichnetem

Erhaltungszustand und einwandfreier Funktion bewahrt.

Sollten Sie weitere Fragen haben, wenden Sie sich bitte an Ihren Fachhändler.

Um einen Fachhändler in Ihrer Nähe zu finden, stehen Ihnen unsere Niederlassungen gerne zur Verfügung. Eine Auflistung aller Vermeiren Niederlassungen finden Sie auf der letzten Seite dieser Gebrauchsanweisung. Sehbehinderte können sich zur Erläuterung der Bedienungsanleitung an den Händler wenden.

#### 2. Bauteile



#### 3. Zeichenerklärung



Max. Gewicht



CE-Konformität



Typenbezeichnung

#### 4. Prüfungen nach der Lieferung

Packen Sie Ihr Produkt aus und überprüfen Sie, ob die Lieferung vollständig ist. Zum Lieferumfang gehören:

- Rollatorrahmensystem inkl. Sitzbank, 4 Räder (vormontiert)
- Höhenverstellbare Schiebegriffe inkl. Brems- und Handgriff
- Einkaufskorb
- Sicherheitsbügel
- Gebrauchsanweisung

Prüfen Sie die Sendung sorgfältig auf Transportschäden. Sollten Sie feststellen, dass dieses Produkt oder die Sendung wider Erwarten einen Fehler aufweist, so verfahren Sie wie folgt:

- Wenden Sie sich an den Frachtführer.
- Lassen Sie den Schaden protokollieren,
- Informieren Sie Ihren Fachhändler unverzüglich.

## 5. Zweckbestimmung

**⚠️ WARNUNG: Sturzrisiko - Nutzen Sie den Rollator nicht, bei geschwächten Armen oder starken Gleichgewichtsstörungen.**

Der Rollator dient zum Ausgleich der verminderten Belastbarkeit oder Leistungsfähigkeit der unteren Extremitäten durch Kraft-/Abstützungseinsatz der oberen Extremitäten oder des Rumpfes und dient der Unterstützung und Sicherung des Gehens. Nicht einzusetzen ist der Rollator für Personen mit deutlichen Einschränkungen der Hand-/Armfunktionen oder mit ausgeprägten Balancestörungen.

Die Rollator kann sowohl innen wie außen genutzt werden.

Der Rollator darf nur auf Flächen verwendet werden, bei denen alle vier Räder Bodenkontakt haben. Nutzen Sie den Rollator nicht auf unebenen Böden oder starken Gefällen/Steigungen. (siehe technische Details: max. Neigung), da sonst Kippgefahr besteht.

Der Rollator dient nicht dem Personentransport oder dem Transport Gegenständen. Nutzen Sie den Sitz nur, wenn die Parkbremse eingerastet ist.

## 6. Zusammen- und Aufklappen des Rollators (Abb. 1)

**⚠️ WARNUNG: Einklemmgefahr - Halten Sie Finger, Schnallen und Kleidung vom Klappmechanismus fern.**

### 1. Zusammenklappen des Rollators

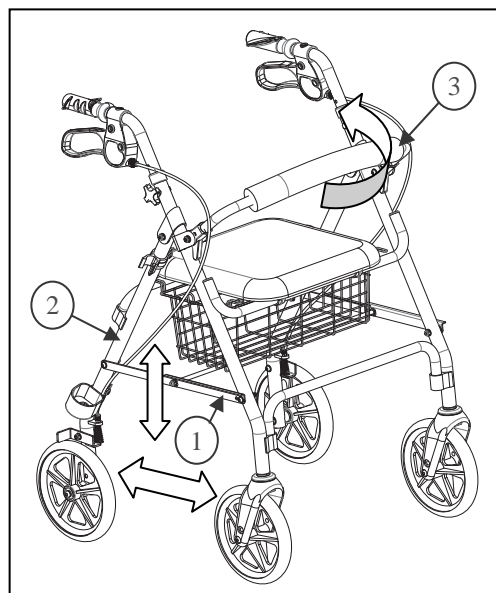
- Heben Sie den Sitz an.
- Entfernen Sie den Einkaufskorb.
- Ziehen Sie die Befestigungsplatten ① leicht nach oben. **Stecken Sie Ihre Finger nicht in den Klappmechanismus.**
- Schieben Sie die hinteren Rohre ② nach vorne gegen die vorderen Rohre, um den Rollator weiter zusammenzuklappen.
- Klappen Sie den Sicherheitsbügel ③ ein, indem sie ihn nach oben ziehen.

### 2. Aufklappen des Rollators

- Ziehen Sie die hinteren Rohre ② zum Aufklappen des Rollators nach hinten.
- Drücken Sie die Befestigungsplatten ① auf beiden Seiten nach unten, bis sie einrasten.
- Heben Sie den Sitz, falls erforderlich, an.

- Stellen Sie den Einkaufskorb auf die beiden horizontalen Rohre, auf denen der Sitz aufliegt.
- Bewegen Sie den Sitz nach unten.
- Klappen Sie den Sicherheitsbügel ③ auf, indem sie ihn nach oben ziehen.
- **Stellen Sie die Schiebegriffe auf die gewünschte Höhe ein (siehe unten).**

Abb. 1 – Zusammen- / Aufklappen des Rollators

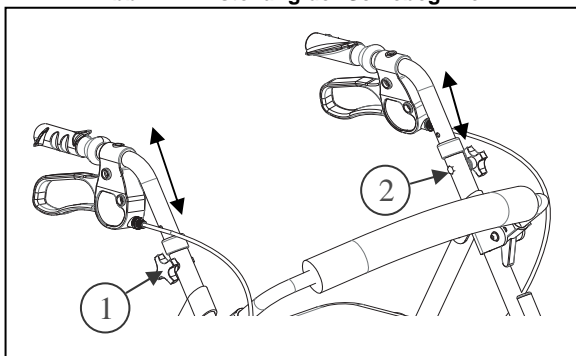


## 7. Aufbau

- Schieben Sie die Schiebegriffe in das vordere Gestell.
- Klappen Sie den Rollator auf.
- **Stellen Sie die Schiebegriffe auf die gewünschte Höhe ein (siehe unten).**

## 8. Schiebegriffe (Abb. 2)

- ⚠️ VORSICHT: Sturzgefahr - Sorgen Sie vor der Verwendung des Rollators für eine feste Fixierung der Griffe.**
- ⚠️ VORSICHT: Sturzgefahr - Beachten Sie die maximale Höheneinstellung Ihrer Schiebegriffe, andernfalls ist Ihr Rollator nicht mehr stabil.**

**Abb. 2 – Einstellung der Schiebegriffe**


Die Schiebegriffe lassen sich in folgenden Schritten auf die richtige Höhe einstellen:

- Lösen Sie den Sternknopf ①.
- Entfernen Sie den Sternknopf ① vollständig.
- Entfernen Sie die Schraube ② aus dem Rohr.
- Stellen Sie den Schiebegriff auf die gewünschte Höhe ein (7 verschiedene Positionen in 25mm-Schritten). (Bei aufrechtem Stehen sollten die Griffe in Höhe Ihrer Handgelenke stehen). Lassen Sie dazu Ihre Arme locker nach unten hängen.
- Schieben Sie die Schraube ② wieder in die Bohrung des Rohres.
- Schieben Sie den Sternknopf ① auf die Schraube ②.
- Ziehen Sie den Sternknopf ① von Hand kräftig an.
- Stellen Sie den anderen Schiebegriff auf die gleiche Weise ein.
- Überprüfen Sie, dass die beiden Griffe auf die gleiche Höhe eingestellt wurden.

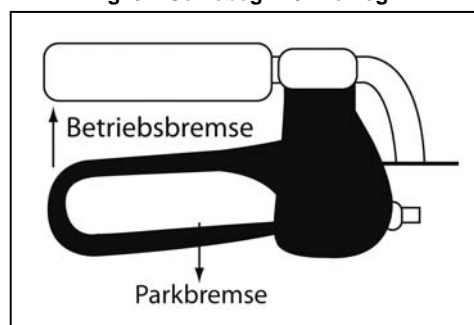
### 9. Bremssystem (Fig. 3)

**⚠ WARNUNG:** Die ordnungsgemäße Funktion der Bremsen kann durch Verschleiß oder Schmutz (auch Wasser, Öl, Schlamm usw.) beeinträchtigt werden. - Überprüfen Sie daher vor jeder Nutzung den Zustand der Räder.

**⚠ WARNUNG:** Die Bremsen sind einstellbar und können verschleißen. Überprüfen Sie daher vor jeder Nutzung den Zustand der Bremsen.

Ihr Rollator ist mit einer Multifunktionsbremse ausgerüstet. Die Bremshebel, jeweils unter den Handgriffen, dienen sowohl als Betriebsbremse als auch als Parkbremse. Für das kurzzeitige Bremsen (Betriebsbremse) ziehen Sie den Bremshebel nach oben in Richtung Handgriff an.

Zur dauerhaften Bremsung des Rollators (Parkbremse) drücken Sie den Bremsgriff komplett nach unten, bis dieser hörbar und fühlbar einrastet. Das so gebremste Rad ist blockiert, bis Sie den Bremshebel wieder leicht nach oben anziehen. Zum zeitlich begrenzten Blockieren beider Räder führen Sie die Funktion an beiden Bremsen (links und rechts) durch.

**Fig. 3 – Schiebegriff / Bremsgriff**


### 10. Korb

**⚠ WARNUNG:** Kippgefahr – Überladen Sie nicht den Einkaufskorb.

Der Einkaufskorb ist zur Anbringung unter dem Sitz gedacht. Befestigen Sie den Einkaufskorb mit den vier Clips an den beiden horizontalen Rohren, auf denen der Sitz aufliegt.

Die maximale Zuladung des Korbes beträgt max. 5 kg.

### 11. Sicherheitshinweise

- Achten Sie darauf, dass sich keine Steine oder andere Gegenstände in den Laufflächen der Räder befinden.
- Achten Sie darauf, dass die Bremsen erst immer in die Parkposition gestellt werden, bevor Sie den Rollator benutzen. Erst wenn Sie sicher stehen, lösen Sie die Parkbremsen.
- Verbrennungsgefahr: Seien Sie vorsichtig, wenn Sie den Rollator nach längerem Fahren in heißer oder kalter Umgebung (direkte Sonne, extreme Kälte, Sauna usw.) berühren.
- Stellen Sie sicher, dass die Sternknöpfe von die Schiebegriffe vor der Nutzung fest montiert wurden.
- Überzeugen Sie sich, dass der Befestigungsplatten gegen unbeabsichtigtes Zusammenfallen des Rollators immer eingerastet ist.



- Beginnen Sie erst mit dem Laufen, wenn Sie aufrecht stehen und beide Hände die Handgriffe erfasst haben.
- Fassen Sie die Handgriffe nicht mit nassen Händen an. Sie könnten abrutschen und den Halt verlieren.
- Stellen Sie während des Gehens Ermüdungserscheinungen fest, so setzen Sie sich auf der Sitzbank ab. Bringen Sie jedoch zuvor die Bremsen in Parkposition.
- **Das Produkt darf mit max. 120 kg belastet werden** und nur auf ebenen Wegen benutzt werden.  
Befahren Sie mit Ihrem Rollator keine Treppen oder Stufen, die höher als max. 40 mm sind.
- Bei der Benutzung draußen befahren Sie nur ebene Wege und vermeiden Sie hohe Bordsteinkanten und / oder tiefbrunnen. Suchen Sie nach einer Stelle, bei der die Bordsteinkante abgesenkt ist.
- Begeben Sie sich mit Ihrem Rollator nicht in den fließenden Verkehr. Benutzen Sie ebene Fußwege.
- Vermeiden Sie das Fahren auf Kopfsteinpflaster oder ähnlichen Oberflächen Sie könnten die Gewalt über Ihren Rollator verlieren.
- Vermeiden Sie die Benutzung auf stark ansteigenden Wegen oder auf Wegen, die starkes Gefälle haben.
- Verwenden Sie Ihren Rollator nicht zum Transport von Gegenständen oder Personen (Sitzfläche).
- Achten Sie auf die Pflege- und Wartungshinweise. Bei Schäden durch mangelnde Wartung/Pflege haftet der Hersteller nicht.

## 12. Pflege

Zum Reinigen verwenden Sie am besten eine Seifenlösung. Das Reinigungsmittel sollte in jedem Fall einen pH-Wert von min. 6 aufweisen. Verwenden Sie keine lösungsmittelhaltigen Reinigungsmittel. Beachten Sie die Hinweise der jeweiligen Desinfektionsmittel. Zur Reinigung verwenden Sie bitte ein feuchtes Tuch und lauwarmes Wasser. Vermeiden Sie eine Durchnässung. Verwenden Sie keine Metallbürsten oder andere scharfkantige oder spitze Reinigungsutensilien. Bei Lackschäden oder Holzschäden wenden Sie sich an Ihren Fachhändler. Regelmäßige Pflege erhält Ihren Rollator in einem einwandfreien und funktionstüchtigen Zustand.

## 13. Desinfektion

Zur Desinfektion verwenden Sie nur Desinfektionsmittel, die für die Behandlung von lackierten Metalloberflächen und Holzoberflächen geeignet sind. Beachten Sie die Hinweise der jeweiligen Desinfektionsmittel. Verwenden Sie nur validierte Verfahren (Scheuerdesinfektion) und Desinfektionsmittel nach den Angaben des Robert-Koch-Institutes (Info über: [www.rki.de](http://www.rki.de)). Eine Desinfektion darf nur von dafür geschultem Personal durchgeführt werden. Wenden Sie sich an Ihren Fachhändler.

## 14. Reparatur / Wartung / Inspektion

Die Lebenszeit des Rollators hängt ab von der Art der Nutzung, der Einlagerung, regelmäßigen Kontrollen, Service und Pflege.

Verwenden Sie ausschließlich VERMEIREN-Originalersatzteile. Reparaturen, Instandsetzungen dürfen nur von geschultem Personal durchgeführt werden. Nutzen Sie die Serviceleistungen Ihres Fachhändlers. Er wird Ihnen bei Wartung und Reparatur gerne weiterhelfen.

**Vor jedem Wiedereinsatz ist der Rollator zu warten, wobei folgende Kriterien geprüft werden:**

- Vollständigkeit
- Funktion des Faltmechanismus
- Überprüfung der Räder (Halt, Spur, Fixations)
- Rahmen (Verformung, Standsicherheit, Verschraubungen)
- Schiebegriffe (sichere Arretierung der Höhenverstellung, sicherer Halt der Schiebegriffe)
- Bremsen
- Sitzfläche, Sicherheitsbügel und der Korb sollten auf Beschädigungen überprüft werden
- Entfernung von Verschmutzungen
- **Lackschäden (mögliche Roststellen entfernen und lackieren)**

**Alle 8 Wochen:**

- Fettung (Bewegliche Verbindungen sollen gefettet sein)

**Alle 6 Monate (und vor jedem Wiedereinsatz) sollte der Rollator gewartet werden nach folgenden Kriterien:**

- Allgemeine Inspektion
- Desinfektion

## 15. Verpackung und Lagerung

Bei der Verpackung und Lagerung des Rollators sind die folgenden Hinweise zu beachten:

- Lagern Sie den Rollstuhl nur bei Temperaturen (von +5°C bis +41°C).
- Einlagerung bei Luftfeuchtigkeit von 30 % à 70 %.
- Achten Sie darauf, den Rollator ausreichend abzudecken oder zu verpacken, um ihn vor Rost und Fremdkörpern zu schützen (z. B. Salzwasser, Seeluft, Sand und Staub).
- Der Rollator müssen belastungsfrei gelagert werden. (legen Sie keine schweren Teile auf den Rollator, klemmen Sie den Rollator nicht zwischen anderen Teilen ein usw.).

## 16. Gewährleistung

Auszug aus den allgemeinen Geschäftsbedingungen:

(...)

5. In verschiedenen Ländern können die Gewährleistungsbestimmungen unterschiedlich sein. Wenden Sie sich an Ihren Fachhändler, für die Verjährungsfrist für Gewährleistungsansprüche.

(...)

## 18. Übereinstimmungserklärung

*Der Hersteller oder sein bevollmächtigter Vertreter :*

N.V. VERMEIREN N.V.

*Adresse :*

Vermeirenplein 1/15  
2920 Kalmthout  
Belgien

*erklärt unter der eigenen Verantwortung, dass CE-markierte Produkte :*

Produktgruppe:	Rollatoren
Produktgruppe (GMDN):	Gehilfe, faltbar (GMDN 37951)
FAGG Reg.-Nummer:	BE/CA01/11/2-02965-26-CLI
Marke:	Vermeiren
Typ:	251, 253, 275, 275BIS, 266, 286B, 286D, 286E, Streeter, 201 // Delta, 4-light, ECO-Light, Quadri-Light

*als Klasse I eingestuft werden, gemäß Anhang IX 93/42/EWG, Regel 1,*

*und hergestellt sind in völliger Konformität mit nachstehenden europäischen Richtlinien - inklusive der letzten Änderungen - und mit den nationalen Gesetzen, welche diese Richtlinien ausgestalten :*

Richtlinie über Medizinprodukte 93/42/EWG: 2007

*und den einschlägigen europäisch harmonisierten Standards entsprechen:*

EN 12182: 2012, EN 1985: 1999, EN ISO 11199-2: 2005

## MANUALE DI ISTRUZIONI

### Rollator a 4 ruote Eco-Light

#### 1. Dati tecnici

**⚠ AVVERTENZA: Pericolo di limiti non sicuri. Utilizzare solo nei limiti descritti nel presente manuale.**

Produttore	Vermeiren	
Indirizzo	Vermeirenplein 1 / 15 B-2920 Kalmthout	
Tipo	Rollator	
Modello	Eco-Light	
Larghezza (estesa)	600 mm	
Larghezza (ripiegata)	600 mm	
Lunghezza (estesa)	760 mm (con cestello) 670 mm (senza cestello)	
Lunghezza (ripiegata)	345 mm (Impugnature montate) 270 mm (Impugnature smontati)	
Altezza massima	950 mm	
Altezza minima	820 mm	
Altezza (ripiegata)	980 mm	
Distanza tra impugnature	480 mm	
Altezza del sedile	550 mm	
Larghezza del sedile	410 mm	
Profondità del sedile	340 mm	
Peso	<b>7,00 kg</b>	Con cestello 7,60 kg
Ruote	8 x 1 ¼ (Ø 200 mm)	
Freni	Freno multifunzionale	
Pendenza massima in avanti	15°	
Pendenza massima indietro	7°	
Pendenza massima laterale	5°	
Peso massimo dell'occupante	max. <b>120 kg</b>	
Altezza massimacestino	max. 5 kg	
Raggio di sterzata minimo	1400 mm	
Temperatura conservazione	+5°C - +41°C	
La casa produttrice si riserva il diritto di apportare modifiche tecniche. Tolleranza misurazioni ± 15 mm / 1,5 kg / °.		

Ringraziamo per la fiducia accordataci con l'acquisto di un articolo di nostra produzione.

Prima di utilizzare il rollator leggere attentamente le presenti istruzioni, allo scopo di acquisire familiarità con il prodotto.

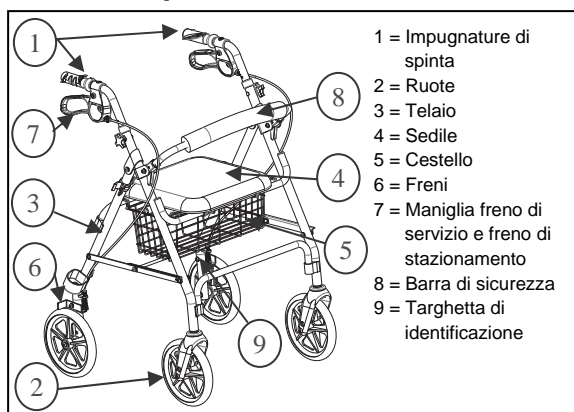
Le istruzioni contengono inoltre indicazioni per la pulizia e la manutenzione del rollator. Si prega di tenere presente che il rispetto di queste indicazioni consentirà di mantenere il rollator perfettamente efficiente e funzionante anche dopo anni.

Per qualsiasi chiarimento, rivolgersi al rivenditore specializzato.

Per individuare il centro assistenza o il rivenditore specializzato più vicino, contattare il centro Vermeiren. Nell'ultima pagina del manuale, è disponibile un elenco di centri Vermeiren autorizzati.

I pazienti con problemi di vista possono contattare il rivenditore per le istruzioni d'uso.

#### 2. Componenti



#### 3. Significato dei simboli



Peso massimo



Conformità CE



Modello

#### 4. Controllo dopo la consegna

Disimballare il prodotto e verificare che tutti i componenti siano stati consegnati. Devono essere incluse le parti seguenti:

- Telaio del rollator, compreso sedile e 4 ruote (premontati)
- Maniglie di spinta regolabili in altezza, complete di freno e impugnatura
- Cestello per la spesa
- Barra di sicurezza
- Manuale di istruzioni

Verificare che non si siano prodotti danni durante il trasporto. In tal caso procedere come segue:

- Rivolgersi al corriere.
- Far certificare i danni
- Informare immediatamente il corriere.



## 5. Utilizzo previsto

**⚠ AVVERTENZA:** Per evitare rischi di caduta – Non usare il rollator in caso di debolezza nelle braccia o di scarso equilibrio.

Il rollator compensa la mancanza di sostegno adeguato di appoggio alle gambe o in movimento, con l'utilizzo degli arti superiori o torace. Il rollator garantisce una maggiore stabilità, supporto e sicurezza durante il cammino.

Tuttavia non potrà essere utilizzato da persone con un problema visibile di debole funzionamento del braccio/mano o con instabilità.

Il rollator può essere utilizzato per uso interno ed esterno.

Il rollator deve essere utilizzato su una superficie piana, in modo che tutte quattro le ruote pivotanti siano ben salde al suolo. Non deve essere utilizzato su terreni rocciosi o scoscesi (vedi dettagli tecnici: massima inclinazione) altrimenti potrebbe diventare instabile.

Il suo utilizzo non è previsto per il trasporto di persone o merce. Il sedile serve solo per sedersi, con freno di stazionamento azionato.

## 6. Apertura e chiusura del rollator (fig. 1)

**⚠ AVVERTENZA:** Rischio di schiacciamento - Tenere le dita, le fibbie e gli abiti lontani dal meccanismo di chiusura.

### 1. Rollator pieghevole

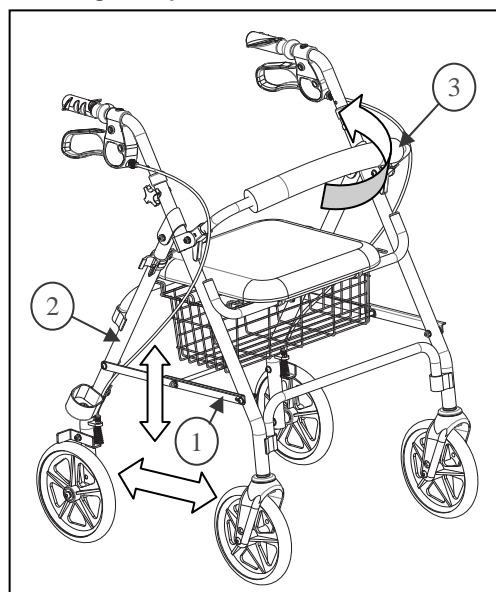
- Sollevare il sedile.
- Rimuovere il cestino.
- Tirare leggermente verso l'alto le leve di blocco ①. **Non inserire le dita nel meccanismo di chiusura.**
- Premere i tubi posteriori ② in avanti verso quelli anteriori per chiudere ulteriormente il rollator.
- Chiudere la barra di sicurezza ③ tirandola verso l'alto.

### 2. Aprire il rollator

- Tirare indietro i tubi posteriori ② per aprire il rollator.
- Premere verso il basso le leve di blocco ① da entrambi i lati fino a farle scattare in posizione.
- Se necessario, sollevare il sedile.
- Posizionare il cestino sui tubi orizzontali su cui poggia il sedile.
- Piegarlo verso il basso.

- Aprire la barra di sicurezza ③ tirandola verso il basso.
- Regolare le maniglie di spinta all'altezza desiderata (v. più avanti).

Fig. 1 – Aprire/chiedere il rollator



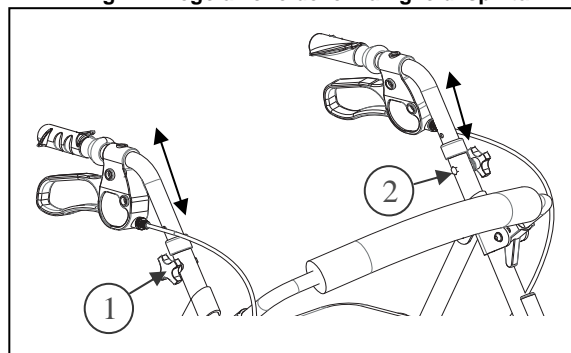
## 7. Assemblaggio

- Inserire le maniglie di spinta nel telaio anteriore.
- Aprire il rollator.
- Regolare le maniglie di spinta all'altezza desiderata (v. più avanti).

## 8. Maniglie di spinta (Fig. 2)

- ⚠ ATTENZIONE:** Rischio di caduta – Bloccare saldamente le maniglie prima di utilizzare il rollator.
- ⚠ ATTENZIONE:** Rischio di caduta – Non superare la regolazione massima in altezza delle maniglie di spinta; il rollator perderebbe stabilità.

Fig. 2 – Regolazione delle maniglie di spinta



Per regolare in altezza le maniglie di spinta, seguire la procedura seguente:

- Allentare la manopola a stella ①.
- Rimuovere completamente la manopola a stella ①.
- Rimuovere il dado ② dal tubo.
- Regolare le maniglie di spinta all'altezza desiderata (7 posizioni diverse a intervalli di 25 mm). In posizione eretta le maniglie devono essere all'altezza dei polsi. Lasciare le braccia a penzolari.
- Riposizionare il dado ② nel relativo foro nel tubo.
- Posizionare la manopola a stella ① sul dado ②.
- Serrare manualmente la manopola a stella ①.
- Regolare l'altra maniglia seguendo la medesima procedura.
- Controllare che entrambe le maniglie siano regolate alla stessa altezza.

## 9. Freni (Fig. 3)

**⚠ AVVERTENZA:** **sull'adeguato funzionamento dei freni incide l'usura e la sporcizia accumulata sulle ruote (acqua, olio, fango, ecc.). Verificare la condizione delle ruote prima di ciascun utilizzo.**

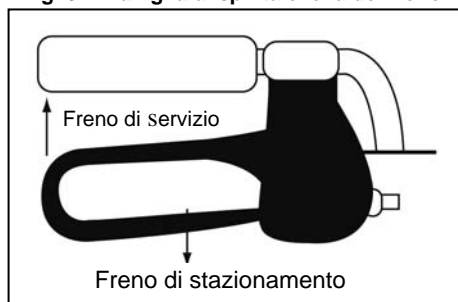
**⚠ AVVERTENZA:** **I freni possono usurarsi. Verificare il funzionamento dei freni prima di ogni utilizzo.**

Il rollator è dotato di freno multifunzione. Le leve del freno, poste sotto all'impugnatura della maniglia, fungono da freno di servizio e freno di stazionamento.

Per frenare normalmente (freno di servizio) tirare la leva del freno verso l'alto in direzione dell'impugnatura.

Per frenare in modo permanente (freno di stazionamento) premere la leva del freno a fondo verso il basso, fino a quando non si sente e non si avverte che è innestata a fondo. La ruota frenata in questo modo resta bloccata fino a quando non si tira la leva del freno verso l'alto. Per un bloccaggio di breve durata di due ruote azionare le due leve del freno.

Fig. 3 – Maniglia di spinta e leva del freno



## 10. Cestello

**⚠ AVVERTENZA:** **Per evitare il rischio di ribaltamento non sovraccaricare il cestino.**

Il cestino deve essere montato sotto il sedile. Fissare il cestino avvalendosi dei quattro ganci sui due tubi orizzontali su cui poggia il sedile. Il cestino può contenere un peso massimo di Kg.5

## 11. Istruzioni per la sicurezza

- Verificare che non vi siano pietre o altri oggetti sul piano di scorrimento delle ruote.
- Prima di utilizzare il rollator il freno di stazionamento deve essere sempre inserito. Quando si è in condizioni di sicurezza togliere il freno.
- Pericolo di ustioni. Prestare attenzione durante l'uso in ambienti caldi o freddi (esposizione al sole, freddo estremo, sauna, ecc.) per un determinato periodo di tempo e quando si tocca il dispositivo.
- Prima di utilizzare il rollator verificare che la manopola a stella dei tubi di spinta siano bloccate.
- Accertarsi che la sicurezza contro il pieghevole / fisso del rollator sia sempre inserita.
- Durante l'uso non sollevare il rollator perché potrebbe ripiegarsi, con rischio di caduta. Iniziare a spingere quando si è in posizione eretta con entrambe le mani sulle impugnature.
- Non tenere le maniglie con le mani umide, perché potrebbero scivolare facendo perdere l'equilibrio.
- Durante la marcia imparare a riconoscere i primi segni di affaticamento, in modo da potersi riposare sul sedile. Prima di sedersi inserire il freno di stazionamento.
- **Il rollator è progettato per un carico massimo di 120 kg e per marcia in piano.**  
Non superare con il rollator scalini o gradini di altezza superiore a 40 mm.
- Utilizzare il rollator all'esterno, trovando aree pianeggianti e stabili su cui utilizzarlo. Evitare cordoli e/o buche profonde. Passare dove i maciapiedi sono stati adeguati alle normative per l'abbattimento delle barriere architettoniche.
- Non avventurarsi nel traffico col rollator. Utilizzare piste pedonali piane.

- Evitare di procedere su acciottolati e simili, perché si potrebbe perdere il controllo del rollator.
- Evitare percorsi in salita e in discesa.
- Non utilizzare il rollator per il trasporto di cose o persone (sul sedile).
- La casa costruttrice declina ogni garanzia e responsabilità in caso di uso improprio e di mancata esecuzione dei controlli prescritti nelle istruzioni per l'uso. La casa costruttrice declina ogni garanzia e responsabilità in caso di uso improprio e di mancata esecuzione dei controlli prescritti nelle istruzioni per l'uso.

## 12. Pulizia

Per la pulizia utilizzare una soluzione a base di sapone neutro. L'eventuale detersivo deve in ogni caso avere un pH di almeno 6. Non utilizzare detersivi contenenti solventi. Attenersi alle istruzioni fornite a corredo del detersivo. Per la pulizia utilizzare un panno inumidito con acqua tiepida. Non bagnare eccessivamente il panno. Non utilizzare spazzole metalliche o oggetti abrasivi o appuntiti. In caso di danni alla vernice o ai componenti in legno rivolgersi al rivenditore. Una pulizia regolare consente di mantenere il rollator in ottime condizioni e perfettamente funzionante.

## 13. Disinfezione

Per sterilizzare il rollator, utilizzare soltanto disinfettanti adatti per il trattamento di metallo verniciato e superfici in legno. Attenersi alle istruzioni fornite a corredo del detersivo. La disinfezione a sfregamento deve essere effettuata con le soluzioni disinfettanti e le percentuali di diluizione indicate nelle raccomandazioni del Robert-Koch-Institut ([www.rki.de](http://www.rki.de)). La disinfezione dev'essere effettuata dal personale addetto all'igiene o da esso delegato. Rivolgersi al rivenditore.

## 14. Riparazione / Manutenzione / Controllo

La durata del prodotto dipende dall'utilizzo, dalla manutenzione, dallo stoccaggio e dalla pulizia.

Utilizzare solo le parti di ricambio autorizzate Vermeiren. Le riparazioni e le manutenzioni devono essere eseguite da personale competente. Rivolgersi al servizio di assistenza per le riparazioni e la manutenzione. Saranno lieti di assisterla per qualsiasi problema di servizio e riparazione.

**Prima di riprendere a utilizzare il rollator, deve essere sottoposto a manutenzione attenendosi ai seguenti criteri:**

- Completezza
- Meccanismo di chiusura
- Verifica delle ruote (stabilità, direzione, viti di fissaggio)
- Telaio (deformazione, stabilità, collegamenti a vite)
- Maniglie di spinta (bloccaggio sicuro del sistema di regolazione dell'altezza, buon supporto delle maniglie)
- Freni
- Usura o possibili danni al sedile, barra di sicurezza e cestino
- Pulizia
- **Danni alla vernice (eliminare e riverniciare eventuali tracce di ruggine).**

### Ogni 8 settimane

- Lubrificazione (le connessioni mobili devono essere leggermente ingrassate)

**Ogni sei mesi o per ogni nuovo utente, è necessaria la manutenzione in base ai seguenti criteri:**

- Controllo generale.
- Disinfezione

## 15. Trasporto e conservazione

Il trasporto e la conservazione del prodotto devono essere conformi alle seguenti istruzioni:

- Conservare solo in ambienti asciutti (+5°C - +41°C).
- Umidità relativa tra 30 e il 70 %.
- Assicurare sufficiente protezione o imballaggio da preservare il prodotto da ruggine e corpi estranei (per es. acqua salata, aria di mare, sabbia).
- Conservare il prodotto senza sottoporlo a sollecitazioni. (Non appoggiare parti pesanti sul prodotto, non incastrarlo tra altri oggetti ...)

## 16. Garanzia

Tranne per le "Condizioni generali aziendali":

(...)

5. In alcuni paesi le condizioni della garanzia possono differire. Consultare il rivenditore per il periodo relativo ai reclami in garanzia.

(...)

Non rientrano in garanzia danni derivanti da modifiche strutturali ai prodotti, scarsa manutenzione, gestione o conservazione difettosa o impropria, né utilizzo di parti non originali.

Non rientrano inoltre in garanzia parti o parti operative soggette a usura e logoramento naturali.

## 17. Smaltimento

Al momento dello smaltimento del rollator, contattare il centro di raccolta locale o restituire il prodotto al rivenditore, che dopo averlo sottoposta a una procedura igienica la potrà inviare al produttore che la smaltirà e riciclerà nel modo corretto, separando componenti e materiali.

I materiali di imballaggio possono essere portati ai centri di raccolta o riconsegnati al rivenditore.

## 18. Dichiarazione di conformità

***Il fabbricante o il distributore :***

N.V. VERMEIREN N.V

***Indirizzo :***

Vermeirenplein 1/15

2920 Kalmthout

Belgio

***dichiara sotto la propria responsabilità, che i seguenti dispositivi medici marchiati CE:***

Gruppo Prodotto: Deambulatori e rollator

Gruppo Prodotto (GMDN): Rollator pieghevole (GMDN 37951)

Registrazione ente FAGG: BE/CA01/11/2-02965-26-CLI

Marchio: Vermeiren

Tipo: 251, 253, 275, 275BIS, 266, 286B, 286D, 286E, Streeter, 201 // Delta, 4-light, ECO-Light, Quadri-Light

***sono classificati come di Classe I, come da allegato IX 93/42/CEE, riga 1,***

***e vengono fabbricati secondo le normative sotto riportate, comprese le ultime variazioni e secondo la legge nazionale che regola dette direttive :***

Normative sui dispositivi medici 93/42/CEE: 2007

***e rispettano le seguenti normative europee armonizzate:***

EN 12182: 2012, EN 1985: 1999, EN ISO 11199-2: 2005

## MANUAL DE INSTRUCCIONES

### Andador con 4 ruedas Eco-Light

#### 1. Datos técnicos

**⚠ ADVERTENCIA: Riesgo por ajustes peligrosos; utilice únicamente los ajustes indicados en este manual.**

<b>Fabricante</b>	Vermeiren	
<b>Dirección</b>	Vermeirenplein 1/15, B-2920 Kalmthout	
<b>Tipo</b>	Andador	
<b>Modelo</b>	Eco-Light	
Anchura (desplegado)	600 mm	
Anchura (plegada)	600 mm	
Longitud (desplegado)	760 mm (con cesta) 670 mm (sin cesta)	
Longitud (plegada)	345 mm (Asideros de empuje montadas en la altura más baja) 270 mm (Asideros de empuje desmontados)	
Altura máxima	950 mm	
Altura mínima	820 mm	
Altura (plegada)	980 mm	
Distancia entre las empuñaduras	480 mm	
Altura del asiento	550 mm	
Anchura del asiento	410 mm	
Profundidad del asiento	340 mm	
Peso	Con cesta	7,60 kg
Ruedas	8 x 1 ¼ (Ø 200 mm)	
Frenos	Freno multifuncional	
Inclinación máx. hacia delante	15°	
Inclinación máx. hacia atrás	7°	
Inclinación máx. lateral	5°	
Peso máximo del usuario	Máx. 120 kg	
Peso máximo de la cesta	Máx. 5 kg	
Amplitud de giro	1400 mm	
Temperatura de almacenamiento	+5°C - +41°C	
Derechos de modificación reservados. Tolerancia de la medida ± 15 mm/1,5 kg/ °.		

En primer lugar, queremos agradecerle la confianza que ha puesto en nosotros eligiendo un producto **VERMEIREN**.

Antes de usar el andador, lea atentamente el manual de instrucciones para familiarizarse con este producto.

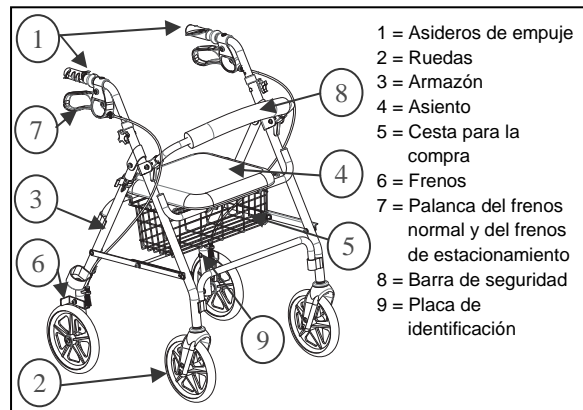
También obtendrá consejos acerca de los cuidados y mantenimiento de su andador. Recuerde que si sigue nuestros consejos mantendrá su andador en excelente estado de conservación y funcionará perfectamente durante años.

Si tiene más preguntas, le rogamos que consulte a su distribuidor especializado.

Para encontrar un centro de servicio o un distribuidor especializado cerca de usted, póngase en contacto con el centro Vermeiren más próximo. Puede encontrar una lista con los centros Vermeiren en la última página.

Las personas con deficiencias visuales pueden ponerse en contacto con el distribuidor para obtener las instrucciones de uso.

#### 2. Componentes



#### 3. Explicación de los símbolos



Peso máximo



Conformidad con la normativa CE



Designación de tipo

#### 4. Comprobación tras la entrega

Desembale el producto y compruebe que incluye todos los componentes. El paquete debe contener los siguientes elementos:

- Armazón del andador con asiento, 4 ruedas (montadas)
- Asideros de empuje de altura ajustable con frenos
- Cesta para la compra
- Barra de seguridad
- Manual

Inspeccione el producto para comprobar si ha sufrido daños durante el transporte. Si encuentra daños tras la entrega, proceda de la siguiente manera:

- Póngase en contacto con el transportista
- Haga una lista con los problemas detectados
- Póngase en contacto con su proveedor



## 5. Uso previsto

**⚠ ADVERTENCIA: Riesgo de caída: no use el andador si no tiene equilibrio o fuerza en los brazos.**

El andador compensa la falta de apoyo de las piernas con la inclinación sobre el andador o el desplazamiento con él mediante el uso de las extremidades superiores o el pecho. El andador mejora la estabilidad y ofrece mayor apoyo y seguridad al caminar.

No obstante, su uso no está permitido para personas con la función de una mano y/o de un brazo visiblemente debilitada ni para personas con problemas de equilibrio.

El andador puede emplearse tanto al aire libre como en espacios cerrados.

El andador sólo debe emplearse sobre superficies en las que las cuatro ruedas estén en contacto con el suelo. No debe usarse en terrenos pedregosos o en pendientes (consulte el apartado de inclinación máxima de los detalles técnicos), puesto que el andador podría perder estabilidad.

Este producto no está concebido para el transporte de personas u objetos. El asiento únicamente puede usarse con el freno de estacionamiento bloqueado.

## 6. Plegado y desplegado el andador (imagen 1)

**⚠ ADVERTENCIA: Riesgo de atrapamiento. Mantenga los dedos, hebillas y ropa alejados del mecanismo de plegado.**

### 1. Plegado del andador

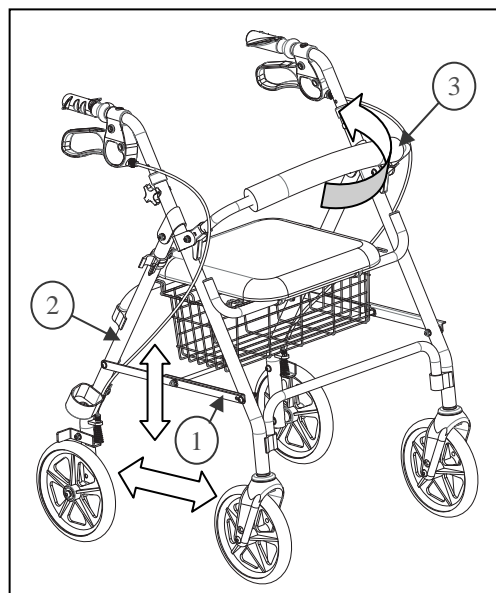
- Eleve el asiento.
- Retire la cesta.
- Tire de las láminas de unión ① ligeramente hacia arriba. **No coloque los dedos entre el mecanismo de plegado.**
- Empuje los tubos posteriores ② hacia delante, contra los frontales, para plegar el andador.
- Tire de la barra de seguridad ③ hacia arriba para plegarla.

### 2. Desplegado del andador

- Tire de los tubos posteriores ② hacia atrás para desplegar el andador.
- Empuje las láminas de unión ① de los lados hacia abajo hasta que se bloqueen en su sitio.
- Eleve el asiento en caso necesario.

- Coloque la cesta sobre los tubos horizontales donde se apoya el soporte del asiento.
- Gire el asiento hacia abajo.
- Tire de la barra de seguridad ③ hacia abajo para desplegarla.
- **Ajuste los mangos para empujar a la altura deseada (más detalles a continuación).**

Imagen 1: plegar/desplegar el andador

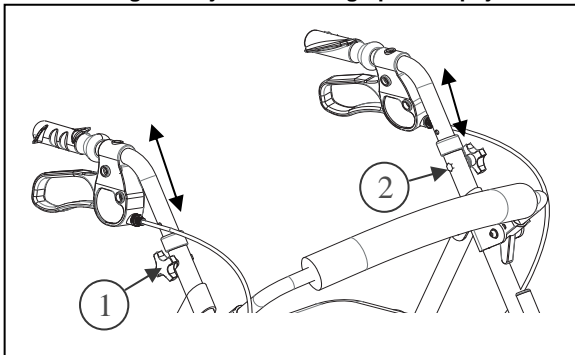


## 7. Montaje

- Deslice los mangos para empujar en el cuadro frontal.
- Despliegue el andador.
- **Ajuste los mangos para empujar a la altura deseada (más detalles a continuación).**

## 8. Mangos para empujar (imagen 2)

- ⚠ **PRECAUCIÓN: Riesgo de caída. Fije los mangos bien sujetos antes de usar el andador.**
- ⚠ **PRECAUCIÓN: Riesgo de caída. No supere el ajuste de altura máxima de los mangos para empujar, de lo contrario, el andador perderá la estabilidad.**

**Imagen 2: ajuste del mango para empujar**


Realice los siguientes pasos para ajustar la altura de los mangos para empujar:

- Afloje el remache de estrella ①.
- Retire el remache de estrella ① totalmente.
- Saque el perno ② del tubo.
- Ajuste el mango para empujar a la altura deseada (7 posiciones distintas: intervalos de 25 mm). Cuando esté de pie, los mangos deben encontrarse a la altura de las muñecas. Deje que le cuelguen los brazos libremente.
- Coloque el perno ② de nuevo en el agujero del tubo.
- Coloque el remache de estrella ① en el perno ②.
- Vuelva a apretar el remache de estrella ① a mano.
- Siga los mismos pasos para ajustar el otro mango.
- Compruebe que los dos mangos se han ajustado a la misma altura.

### 9. Sistema de frenos (Imagen 3)

**⚠ ADVERTENCIA:** El buen funcionamiento de los frenos se ve afectado por el desgaste y la suciedad de los neumáticos (agua, grasa, barro...). Compruebe el estado de los neumáticos antes de cada uso.

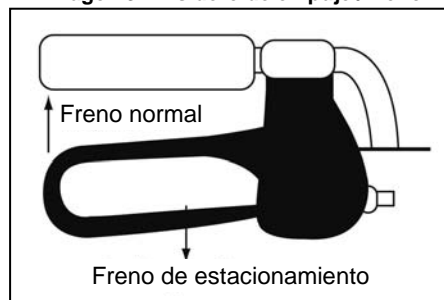
**⚠ ADVERTENCIA:** Los frenos pueden desgastarse: compruebe su funcionamiento antes de cada uso.

El andador está equipado con un sistema de frenos multifuncional. Las palancas de freno, que se encuentran debajo de los asideros de empuje, actúan como frenos normales y también como frenos de estacionamiento.

Para frenar brevemente (frenos normales), tire hacia arriba de la palanca de freno (hacia el asidero de empuje).

Para frenar de forma prolongada (freno de estacionamiento), presione la palanca de freno hacia abajo hasta que oiga un sonido de bloqueo procedente del freno. En ese momento, las ruedas (emplee los frenos de

estacionamiento izquierdo y derecho simultáneamente) quedarán bloqueadas hasta que vuelva a tirar hacia arriba de la palanca de freno.

**Imagen 3 – Asidero de empuje / freno**


### 10. Cesta

**⚠ ADVERTENCIA:** Riesgo de caída, vuelco: no sobrecargue la cesta para la compra.

La cesta está diseñada para montarse debajo del asiento. Coloque la cesta con los cuatro enganches fijados a los tubos horizontales donde se apoya el soporte del asiento.

El peso máximo que puede llevar la cesta es de 5 kg.

### 11. Instrucciones de seguridad

- Asegúrese de que no hay piedras ni otros objetos bloqueando el uso normal de las ruedas del andador.
- Asegúrese de que los frenos o el andador están siempre en el modo de estacionamiento antes de usar el andador. Cuando esté de pie y se sienta cómodo y estable, desbloquee los frenos de estacionamiento.
- Riesgo de quemaduras: tenga cuidado cuando circule por entornos calientes o fríos (luz solar, frío extremo, saunas, etc.) durante un período de tiempo prolongado, ya que podría quemarse al tocar el dispositivo.
- Antes de cada uso, compruebe que el remache de estrella para los asideros de empuje esté firmemente bloqueada.
- Asegúrese de que el sistema de seguridad que evita plegados/despliegues involuntarios funciona correctamente.
- Únicamente debe comenzar a moverse con su andador cuando se sienta cómodo de pie y cuando tenga las dos manos sobre los asideros de empuje.

- No sujete los asideros de empuje con las manos mojadas. Si lo hiciera, podría no tener un buen agarre y perder el equilibrio.
- Cuando sienta cansancio, bloquee los frenos de estacionamiento de su andador y tome asiento en el banco.
- **El peso máximo del usuario del andador es de 120 kg** y sólo puede usarse sobre una superficie plana. No use el andador en una escalera o en superficies con baches superiores a 40 mm.
- En el exterior, busque zonas planas y estables para usar el andador. Evite bordillos y/o agujeros profundos. Encuentre un lugar donde los bordillos estén biselados.
- No se meta entre el tráfico con el andador. Quédese siempre en la acera o en el arcén.
- Evite caminos con baches o tierra. Sobre ese tipo de calzada podría perder el control de la estabilidad del andador.
- Evite caminos con mucha inclinación.
- No use el andador para transportar a personas u objetos.
- Tenga en cuenta las instrucciones de cuidado y mantenimiento. El fabricante no asume ninguna responsabilidad por los daños derivados de un cuidado o mantenimiento incorrectos.

## 12. Cuidados

Se recomienda usar una solución jabonosa para la limpieza. El líquido limpiador debe en todo caso tener un pH de al menos un valor de 6. No emplee un agente limpiador que contenga disolventes. Siga las instrucciones del líquido limpiador empleado. Utilice un trapo húmedo y agua tibia para limpiar el andador. Evite empaparlos. No use cepillos metálicos ni cualquier otro utensilio de limpieza afilado o puntiagudo. En caso de daños en el esmalte o las piezas de madera, consulte con su distribuidor especializado. Si aplica cuidados periódicos, se asegurará de que el andador se conserve en un estado funcional perfecto.

## 13. Desinfección

Para la esterilización, emplee únicamente desinfectantes adecuados para el tratamiento de superficies de metal esmaltado y de madera. Siga las instrucciones del líquido limpiador empleado. Emplee únicamente procesos (para la desinfección por frotamiento) y desinfectantes comprobados que estén incluidos en la lista del Robert Koch Institute (encontrará información en: [www.rki.de](http://www.rki.de)). Sólo el personal con la debida formación puede llevar a cabo las desinfecciones. Consulte a su distribuidor especializado.

## 14. Reparaciones / Mantenimiento / Inspección

La vida útil del andador depende del uso, del almacenamiento, del mantenimiento periódico, de las inspecciones y de la limpieza.

Debe usar únicamente repuestos originales de VERMEIREN. Sólo el personal con la debida formación puede llevar a cabo las reparaciones y puestas a punto. Haga uso de los servicios que ofrece su distribuidor especializado, que le proporcionará gustosamente más ayuda en lo referente al mantenimiento y las reparaciones.

**Antes de volver a usar el andador, debe realizarse una revisión conforme a los siguientes criterios:**

- Estado completo
- Mecanismo de plegado
- Ruedas pivotantes (estabilidad, rodada, tornillos de fijación)
- Armazones (deformación, estabilidad, conexiones)
- Asidero de empuje (bloqueo seguro del sistema de ajuste de altura, buen apoyo de los asideros)
- Frenos
- Asiento, barra de seguridad y bolsa para la compra (desgaste o daños)
- limpieza
- **Esmalte dañado (eliminación de posible óxido y nueva capa de pintura)**

**Cada 8 semanas:**

- Lubricación (deben engrasarse las piezas móviles)

**Cada 6 meses o para cada nuevo usuario, debería realizarse una revisión conforme a los siguientes criterios:**

- revisión general
- Desinfección



## 15. Envío y almacenamiento

El envío y almacenamiento del andador deben realizarse conforme a las instrucciones siguientes:

- Almacenamiento en un lugar seco (entre +5°C y +41°C).
- La humedad relativa del aire debe situarse entre 30% y 70%.
- Cubra o empaquete el andador lo suficiente como para protegerlo de la oxidación y de cuerpos extraños (p. ej. agua salada, brisa marina, arena, polvo, etc.).
- El andador se debe almacenar sin estar sujeto a cargas (no coloque piezas pesadas sobre el producto, no lo encaje entre otros objetos, etc.).

## 16. Garantía

Extracto de las "Condiciones Comerciales Generales".

(...)

5. Las condiciones de la garantía pueden variar de un país a otro. Consulte a su distribuidor especializado el período para reclamaciones en garantía.

(...)

La garantía no incluye los daños provocados por cambios estructurales en nuestros productos, un mantenimiento insuficiente, una manipulación o almacenamiento defectuosos o inadecuados, o el uso de piezas no originales.

Asimismo, la garantía no incluye las partes o piezas funcionales sometidas al desgaste y la abrasión naturales.

## 17. Eliminación

Para desechar el andador, póngase en contacto con la planta de desechos de su región o devuelva el producto a su distribuidor especializado, quien, una vez realizado el proceso higiénico, devolverá la silla al fabricante, que la desechará o reciclará de forma correcta separando sus componentes. Los embalajes pueden llevarse a las plantas de desecho o reciclaje o a su distribuidor especializado.

## 18. Declaración de conformidad

*El fabricante o su representante autorizado:*

N.V. VERMEIREN N.V.

*Dirección:*

Vermeirenplein 1/15

2920 Kalmthout

Bélgica

*declara bajo su propia responsabilidad, el marcado CE productos sanitarios:*

Producto : Andadores / rollators

Producto (GMDN): Andador, plegable (GMDN 37951)

AEMPS (FAGG)

número de registro: BE/CA01/11/2-02965-26-CLI

Marca : Vermeiren

Tipo : 251, 253, 275, 275BIS, 266, 286B, 286D, 286E, Streeter, 201 // Delta, 4-light, ECO-Light, Quadri-Light

*se clasifican como Clase I, según MDD 93/42/EEC Anexo IX, regla 1,*

*y fabricado en el pleno cumplimiento de las siguientes directivas europeas - incluyendo los cambios más recientes - y con la legislación nacional, que organiza estas pautas:*

Directiva sobre productos médicos MDD 93/42/CEE: 2007

*y cumplir con las normas europeas armonizadas pertinentes:*

EN 12182: 2012, EN 1985: 1999, EN ISO 11199-2: 2005

## **INSTRUKCJA OBSŁUGI**

### **4-koła rolatora Eco-Light**

#### 1. Dane techniczne

**⚠ OSTRZEŻENIE:** **Ryzyko**  
**niebezpiecznych ustawień — należy**  
**używać wyłącznie ustawień opisanych**  
**w tej instrukcji obsługi.**

<b>Producent</b>	Vermeiren		
<b>Adres</b>	Vermeirenplein 1 / 15 B-2920 Kalmthout		
<b>Typ</b>	Rolatora		
<b>Model</b>	Eco-Light		
Szerokość (po rozłożeniu)	600 mm		
Szerokość (po złożeniu)	600 mm		
Długość (po rozłożeniu)	760 mm (z koszykiem) 670 mm (bez koszykiem)		
Długość (po złożeniu)	345 mm (Uchwyty montowane w najniższym wysokości) 270 mm (Uchwyty odinstalowany)		
Wysokość (po złożeniu)	980 mm		
Odległość uchwyty	480 mm		
Wysokość maksymalna	950 mm		
Wysokość minimalna	820 mm		
Wysokość siedziska	550 mm		
Szerokość siedziska.	410 mm		
Głębokość siedziska	340 mm		
Waga	<b>7,00 kg</b>	Z koszykiem	7,60 kg
Kółka	8 x 1 ¼ (Ø 200 mm)		
Hamulce	Wielofunkcyjne		
Max. nachylenie do przodu	15°		
Max. nachylenie do tyłu	7°		
Max. nachylenie na boki	5°		
Maksymalna waga użytkownika	maks. <b>120 kg</b>		
Maksymalne obciążenie koszyka	maks. 5 kg		
Promień skrętu	1400 mm		
Temperatura przechowywania	+5°C - +41°C		
Producent zastrzega sobie prawo do wprowadzania zmian parametrów technicznych. Tolerancja pomiarów ± 15 mm / 1,5 kg / °			

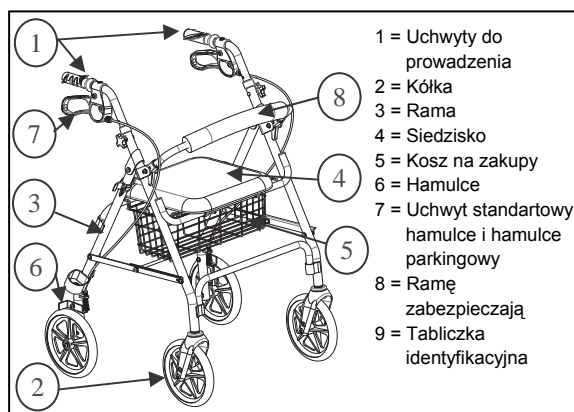
Dziękujemy za zaufanie jakim nas Państwo obdarzyliście wybierając wyroby **VERMEIREN**.

Przed użyciem należy zapoznać się z niniejszą instrukcją.

Instrukcja zawiera wskazówki ; jak konserwować i serwisować rolatora. Proszę pamiętać, że przestrzeganie niniejszych wskazówek pozwoli utrzymać wyrób w najlepszej kondycji oraz pozwoli na prawidłowe funkcjonowanie przez lata używania.

W razie jakichkolwiek pytań prosimy kontaktować się ze sprzedawcą. Aby uzyskać informację o odpowiednim punkcie serwisowym lub wyspecjalizowanym sprzedawcy, należy skontaktować się z najbliższym przedstawicielem firmy Vermeiren. Wykaz przedstawicieli firmy Vermeiren podano na ostatniej stronie. Osoby niedowidzące mogą skontaktować się ze sprzedawcą w celu uzyskania instrukcji użytkownika.

#### 2. Elementy składowe



#### 3. Objasnienie symboli



Waga maksymalna



CE deklaracja



Oznaczenie typu

#### 4. Kontrola po dostawie

Dostarczony produkt należy rozpakować i sprawdzić, czy zawiera wszystkie elementy. W zestawie powinny znajdować się:

- Rama z siedziskiem na czterech kółkach
- Rączki do pchania z hamulcami
- Koszyk na zakupy
- Ramę zabezpieczającą
- Instrukcja obsługi

Proszę sprawdzić wyrób pod kątem zniszczeń w transporcie. Jeśli wyrób nosi ślady uszkodzeń w transporcie proszę zastosować się do poniższej procedury:

- Proszę skontaktować się i poinformować firmę transportową
- Sporządzić listę uszkodzeń
- Skontaktuj się ze sprzedawcą

## 5. Przeznaczenie

**⚠ OSTRZEŻENIE:** Ryzyko upadku – Nie należy używać rolatora w przypadku ograniczonej sile ramion i przy zachwianym poczuciu równowagi.

Rolator służy do podparcia dla osób, które mają nie wystarczająco siły w nogach podczas; samodzielnego stania, lub poruszania się. Gwarantuje lepszą stabilność, podparcie i bezpieczeństwo podczas chodzenia.

Aczkolwiek nie może być używany przez osoby ze słabymi rękami z dysfunkcjami ramion oraz przez osoby z zachwianym poczuciem równowagi.

Rolator może być używany na zewnątrz i wewnątrz pomieszczeń.

Z Rolatora należy korzystać wyłącznie na powierzchniach, na których wszystkie cztery koła dotykają podłoża. Nie należy używać rolatora w terenie skalistym i o dużym nachyleniu (patrz dane techniczne: Max nachylenie) rolator może stać się niestabilny. Rolator nie służy do przewożenia osób i rzeczy. Użytkownik może siedzieć na siedzisku tylko wtedy kiedy hamulce są zaciągnięte.

## 6. Składanie i rozkładanie rolatora (Rys. 1)

**⚠ OSTRZEŻENIE:** Ryzyko przyskrzypienia - Nie wkładaj palcy, klamer i ubrania do mechanizmu składającego.

### 1. Składanie rolatora

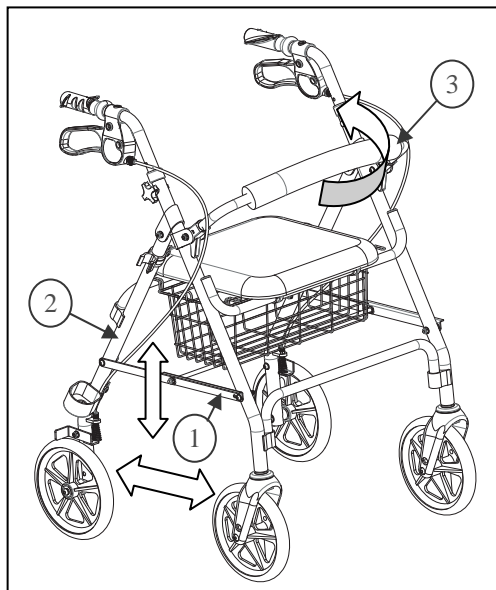
- Unieś siedzisko.
- Wyjmij koszyk na zakupy.
- Unieś płytki mocujące ① lekko wwyż. **Nie wkładaj palcy do mechanizmu składającego.**
- Popchnij tylne nóżki ② w kierunku przednich żeby złożyć rolatora.
- Odchyl ramę zabezpieczającą ③ odciągając ją w górę.

### 2. Rozkładanie rolatora

- Pociągnij tylne nóżki ② do tyłu żeby rozłożyć rolatora.
- Popchnij płytki mocujące ① z obu stron w dół (do pozycji zablokowanej).
- W razie potrzeby unieś siedzisko.
- Umieść koszyk na zakupy na poziomych rurkach, na których było siedzisko.
- Opuść siedzisko.
- Opuść ramę zabezpieczającą ③ popychając ją w dół.

- Ustaw rączki na odpowiedniej wysokości (patrz dalej).

Rys. 1 – składanie / rozkładanie rolatora



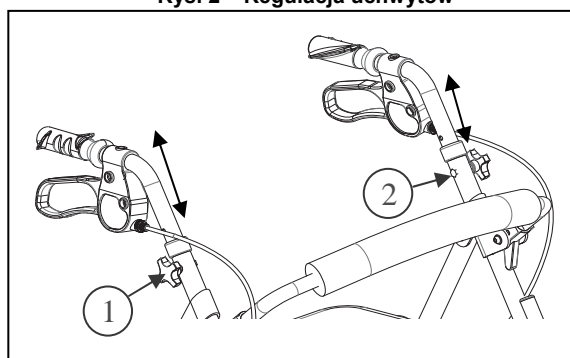
## 7. Montaż

- Przesuń rączki na przedniej ramie.
- Rozłóż rolatora.
- Ustaw rączki na odpowiedniej wysokości (patrz dalej).

## 8. Rączki-uchwyty (Rys. 2)

- ⚠ PRZESTROGA: Ryzyko upadku - Dobrze umocuj rączki przed użyciem rolatora.
- ⚠ PRZESTROGA: Ryzyko upadku - Nie przekraczaj maksymalnej wysokości ustawienia uchwytów, gdyż twój rolator straci wtedy stabilność.

Rys. 2 – Regulacja uchwytów



Wysokość położenia rączek może być regulowana w następujący sposób:

- Poluzuj wkręt gwiazdkowy ①.
- Usuń całkowicie wkręt gwiazdkowy ①.
- Usuń śrubę ② z rurki.
- Ustaw rączkę na odpowiedniej wysokości (7 różnych pozycji: miarka co 25 mm). Stojąc prosto, uchwyty powinny sięgać do twoich nadgarstków; ramiona powinny luźno zwiisać.
- Umieść śrubę ② z powrotem w rurce.
- Umieść wkręt gwiazdkowy ① na śrubie ②.
- Mocno dokręć wkręt gwiazdkowy ① ręką.
- W podobny sposób ustaw drugą rączkę.
- Sprawdź czy obydwie rączki są na tej samej wysokości.

### 9. Hamulec (Rys. 3)

⚠ **OSTRZEŻENIE:** Na prawidłową pracę hamulców wpływ ma zużycie oraz zanieczyszczenie ogumienia (woda, olej, błoto, ...) – należy sprawdzać stan ogumienia przed każdym.

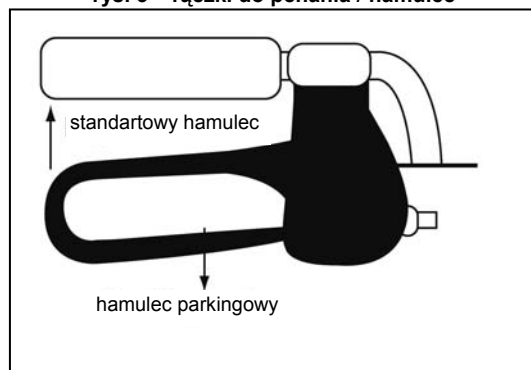
⚠ **OSTRZEŻENIE:** Hamulce są mogą ulec zużyciu – należy sprawdzać stan hamulców przed każdym użyciem.

Rolator został wyposażony w wielofunkcyjny hamulec. Uchwyt hamulca pod rączką do pchania może pracować jako hamulec standardowy jak również jako hamulec parkingowy.

Aby używać hamulca jako standardowego należy uchwyt hamulca zaciągać do góry.

Aby używać hamulca jako parkingowego należy uchwyt hamulca odepchnąć w dół do momentu aż usłyszysz charakterystyczny dźwięk włączenia hamulca. Koła w tym momencie są zablokowane aby je odblokować należy pociągnąć ponownie uchwyt hamulca do góry (należy używać obydwu hamulców parkingowych na raz).

rys. 3 – rączki do pchania / hamulec



### 10. Koszyk

⚠ **OSTRZEŻENIE:** Ryzyko upadku- Nie należy przeladowywać koszyka na zakupy.

Miejsce na montaż koszyka jest przewidziane pod siedzeniem. Zamontuj koszyk za pomocą czterech klipsów na dwóch poziomych rurkach, na których było siedzenie.

Maksymalne obciążenie podczas używania rolatora - 5 kg.

### 11. Instrukcje bezpieczeństwa

- Należy się upewnić, że podczas używania rolatora nic nie blokuje kół (kamień lub inna przeszkoda).
- Należy się upewnić, że hamulce są zawsze w trybie parkingowym przed używaniem rolatora. Kiedy użytkownik jest pewny, że jego wyprostowana postawa jest stabilna i pewna można odblokować hamulce.
- Istnieje ryzyko poparzenia - Należy zachować ostrożność podczas przewożenia przy bardzo wysokich i niskich temperaturach (na ostrym słońcu, mrozie, w saunie itp.) przez dłuższy czas i przy kontakcie ze skórą.
- Przed używaniem należy upewnić się, że wkręt gwiazdkowy rączki do pchania są dokładnie dociśnięte.
- Należy sprawdzić, czy blokada służąca składania i rozkładania rolatora działa poprawnie.
- Posługiwanie się rolatora do chodzenia jest dozwolone tylko wtedy kiedy użytkownik czuje się stabilnie i komfortowo oraz dwie ręce spoczywają na rączkach do pchania.
- Nie należy chwytać rączek do pchania wilgotnymi dłońmi. Ręce mogą się ześliznąć z uchwytów i w ten sposób użytkownik może utracić równowagę.
- Jeśli podczas używania rolatora użytkownik poczuje się zmęczony, należy zablokować hamulce i usiąść na płócie.
- **Maksymalna dopuszczalna waga użytkownika to 120 kg** i rolator może być używany tylko na równej powierzchni. Nie należy używać rolatora na schodach lub na nierównej nawierzchni maksymalna wysokość nierówności 40 mm.

- Podczas używania rolatora na zewnątrz, staraj się aby powierzchnia była równa i stabilna. Należy unikać krawężników i głębokich dziur. Szukaj miejsc z łagodnymi zjazdami, niskimi krawężnikami.
- Nie należy używać rolatora w ruchu ulicznym tylko na chodniku. Używaj tylko na chodniku
- Należy unikać ścieżek wyboistych i piaszczystych. Grozi utratą kontroli nad rolatorem i stabilności.
- Należy unikać ścieżek bardzo stromych.
- Nie należy używać rolatora do przewożenia osób lub innych rzeczy.
- Proszę dokładnie zapoznać się z instrukcją w zakresie bezpieczeństwa i serwisu. Producent nie bierze odpowiedzialności za zniszczenia spowodowane przez nie właściwe użytkowanie i konserwację.

## 12. Pielęgnacja

Zaleca się do czyszczenia używanie roztworu wody z mydłem. Płyn do czyszczenia powinien mieć PH na poziomie przynajmniej 6. Nie należy używać środków czyszczących zawierających rozpuszczalnik. Należy zawsze zwrócić uwagę na instrukcję środka czyszczącego. Do czyszczenia należy używać wilgotnej ściereczki oraz letniego płynu. Unikać przemoczenia. Nie należy używać metalowych szczotek oraz żadnych innych ostrych przyborów czyszczących. W przypadku uszkodzenia lakieru lub stolarki, skonsultuj się ze sprzedawcą. Regularna pielęgnacja rolatora pozwala utrzymać je w idealnym stanie.

## 13. Dezynfekcja

Do sterylizacji należy stosować wyłącznie środki odkażające przeznaczone do powlekanych powierzchni metalowych i powierzchni drewno. Należy zawsze zwrócić uwagę na instrukcję środka czyszczącego. Zaleca się stosować środki sprawdzone które są na liście Instytutu Roberta Kocha (informacje można uzyskać na stronie: [www.rki.de](http://www.rki.de)). Dezynfekcja może być przeprowadzona wyłącznie przez przeszkolone osoby. Należy skontaktować się ze sprzedawcą.

## 14. Naprawy/konserwacja/ przeglądy

Na żywotność rolatora ma wpływ sposób używania, sposób przechowywania, dokonywanie regularnych oględzin, utrzymanie w czystości.

Należy używać wyłącznie oryginalnych części zamiennych. Napraw i remontów może być przeprowadzona wyłącznie przez przeszkolone osoby. Jeśli to możliwe należy korzystać z serwisu dostawcy. On chętnie pomożemy w odniesieniu do usług i remontów.

**Przed każdym używaniem rolator powinien być sprawdzony pod względem:**

- Kompletności
- Prawidłowego działania mechanizmukładania
- Funkcjonowania kółek (stabilność, właściwości jezdne, mocowanie śrub)
- Ramy, (uszkodzenia, deformacje, stabilność)
- Kondycji rączek do pchania (bezpiecznego blokowania regulacji wysokości, prawidłowego podparcia)
- Hamulce
- Kondycji takich elementów jak: siedzisko, Ramę zabezpieczającą i koszyk.
- Czyszczenie
- **Uszkodzenia powłoki lakierniczej (usunąć możliwą rdzę i przemałować)**

**Co 8 tygodni:**

- Smarowanie (ruchome części powinny być smarowane)

**Co 6 miesięcy lub przed każdym nowym użytkownikiem, krzesła powinien być poddany:**

- Przegląd generalny
- Dezynfekcja

## 15. Wysyłka i Przechowywanie

Podczas transportu i przechowywania rolatora należy się stosować do następujących instrukcji:

- Podnośnik pacjenta powinien być przechowywany wyłącznie w suchych pomieszczeniach (od +5°C do +41°C).
- Względna wilgotność powietrza: 30–70%.
- Zapewnić odpowiednie przykrycie lub opakowanie chroniące rolatora przed rdzą i ciałami obcymi (np. słoną wodą, morskim powietrzem, piaskiem, pyłem).



- Przechowywane elementy muszą być wolne od nacisku (nie umieszczać ciężkich części na rolatora, nie wciskać pomiędzy inne obiekty ...).

## 16. Gwarancja

Wycinek z „Ogólnych warunków prowadzenia działalności”:

(...)

5. Warunki gwarancji mogą się różnić w zależności od kraju. Poproś wykwalifikowanego sprzedawcę o informacje o okresie trwania gwarancji.

(...)

Gwarancja nie obejmuje uszkodzeń powstałych na skutek dokonywania zmian strukturalnych produktu, niewystarczającej konserwacji, niewłaściwego użytkowania lub przechowywania lub korzystania z nieoryginalnych części.

Gwarancja nie obejmuje również części lub części ruchomych podlegających naturalnemu zużyciu.

## 17. Utylizacja

Podczas utylizacji rolatora należy się skontaktować z lokalnym centrum składowania odpadów lub zwrócić produkt wyspecjalizowanemu sprzedawcy, który po poddaniu wózka procedurze czyszczącej może odesłać go do producenta, który z kolei podda produkt odpowiedniej utylizacji i recyklingowi, rozkładając go na materiały składowe.

Materiały pakunkowe można oddać do centrum utylizacji i recyklingu lub wyspecjalizowanemu sprzedawcy.

## 18. Deklaracja zgodności

*Producent lub jego upoważniony przedstawiciel:*

N.V. VERMEIREN N.V.

*Adres:*

Vermeirenplein 1/15

2920 Kalmthout

Belgia

*deklaruje na własną odpowiedzialność, że wyroby medyczne ze znakiem CE:*

Produktu: Rolator

Produktu (GMDN): Balkonik, pomoc do chodzenia składany (GMDN 37951)

FAGG numer rejestracyjny: BE/CA01/11/2-02965-26-CLI

Marka: Vermeiren

Typ: 251, 253, 275, 275BIS, 266, 286B, 286D, 286E, Streeter, 201 // Delta, 4-light, ECO-Light, Quadri-Light

*Są sklasyfikowane jako klasa I, zgodnie z MDD 93/42/EEC załączniku IX, zasady 1 i wykonane są w pełnej zgodności z następującymi dyrektywami europejskimi:*

Dyrektywa o wyrobach medycznych MDD 93/42/EEC

*w tym najnowsze zmiany oraz z prawem krajowym, który organizuje te wytyczne.*

*oraz spełnia wymagania zasadnicze określone w:*

Ustawie o wyrobach medycznych z dnia 20 maja 2010

*Oraz zgodne są z odpowiednimi zharmonizowanymi normami europejskimi:*

PN-EN 12182: 2012, PN-EN 1985: 1999, PN-EN ISO 11199-2: 2005

## ITALIANO

### GARANZIA CONTRATTUALE

La carrozzine manuali sono garantite 5 anni, la carrozzine ultra leggera 4 anni. Le carrozzine elettroniche, tricicli, letti e altri prodotti: 2 anno contro tutti i difetti di costruzione o di materiale (batterie 6 mesi). Multiposizioni 3 anni. Questa garanzia e' limitata alle sostituzione di parti riconosciute difettose.

### CONDIZIONI

Per far valere la garanzia, e' necessario indirizzarla al vostro distributore di fiducia che presentera' al produttore il tagliando.

### RISERVE

Questa garanzia non potra' essere applicata nei seguenti casi:

- danno dovuto al cattivo ed improprio utilizzo della carrozzina,
- danno subito durante il trasporto,
- incidente o caduta,
- smontaggio, modifica, o riparazione effettuate in proprio,
- usura abituale della carrozzina,
- invio del tagliando di garanzia con la data di acquisto.



# VERMEIREN



**GARANTÍA  
GARANTIE  
WARRANTY  
GARANTIE  
GARANZIA**

N.V. VERMEIREN N.V. Tel.: 00 32 (0)3 620 20 20  
VERMEIRENPLEIN 1-15 Fax: 00 32 (0)3 666 48 94  
B-2920 Kalmthout [www.vermeiren.com](http://www.vermeiren.com)

**B**

Naam/Nom/Name  
Name/Nome

Adres/ Adresse/Address  
Adresse/Indirizzo

Woonplaats/Domicile/Home  
Wohnort/Citta

E-mail

Artikel/Article/Article  
Artikel/Articolo

Reeks nr./N° de série/Serie nr.  
Serien-Nr./No. di serie

Aankoopdatum/Date d'achat/Date of purchase  
Kaufdatum/Data di acquisto

Stempel verkoper/Timbre du vendeur  
Dealer stamp/Händlerstempel  
Timbro del rivenditore

**A**

Nombre/Nom/Name  
Name/Nome

Dirección/Adresse/Address  
Adresse/Indirizzo

Ciudad/Domicile/Home  
Wohnort/Citta

E-mail

Artículo/Article/Article  
Artikel/Articolo

Núm. de serie/N° de série/Serie nr.  
Serien-Nr./No. di serie

Fecha de adquisición/Date d'achat/Date of purchase  
Kaufdatum/Data di acquisto

Sello del distribuidor /Timbre du vendeur  
Dealer stamp/Händlerstempel  
Timbro del rivenditore

**CONTRATO DE GARANTÍA**

Garantía de 5 años para sillas de ruedas estándar. Garantía de 4 años para las sillas de ruedas ligeras. Garantía de 2 años para las sillas de ruedas eléctricas, triciclos, cammas y otros productos. (las baterías tienen una garantía de 6 meses). Garantía de 3 años para las sillas de ruedas multi-posición. Esta garantía se limita a la sustitución de las piezas defectuosas o recambios.

**CONDICIONES DE APLICACIÓN**

Para reclamar esta garantía, debe de entregar a su distribuidor oficial de Vermeiren el apartado "B" de esta tarjeta. La garantía sólo es válida cuando las piezas son sustituidas por Vermeiren Bélgica.

**EXCEPCIONES**

- Esta garantía no es válida en caso de:
- Daños debidos a un uso incorrecto de la silla de ruedas.
  - Daños durante el transporte.
  - Involucración en un accidente.
  - Desmontaje, modificación o reparación que no haya sido realizada por nuestra compañía y / o distribuidor oficial de Vermeiren.
  - Desgaste normal de la silla de ruedas.
  - Que no se entregue la tarjeta de garantía

**GARANTIE CONTRACTUELLE**

Les fauteuils manuels standard sont garantis 5 ans, les fauteuils ultra légers 4 ans. Les fauteuils électroniques, tricycles, lits et d autres produits: 2 ans contre tous vices de construction ou de matériaux (batteries 6 mois).

Cette garantie est expressément limitée au remplacement des éléments ou pièces détachées reconnues défectueuses.

**CONDITIONS D'APPLICATION**

Pour prétendre à cette garantie, il faut présenter le certificat de garantie que vous avez conservé à votre distributeur Vermeiren. La garantie est uniquement valable au siège de la société.

**RESERVES**

- Cette garantie ne pourra être appliquée en cas de:
- dommage dû à la mauvaise utilisation du fauteuil,
  - endommagement pendant le transport,
  - accident ou chute,
  - démontage, modification ou réparation fait en dehors de notre société,
  - usure normale du fauteuil,
  - non retour du coupon de garantie.

**CONTRACTUAL WARRANTY**

We offer 5 years of warranty on standard wheelchairs, lightweight wheelchairs 4 years. Electronic wheelchairs, tricycles, beds and other products: 2 years (batteries 6 months) and multipoition wheelchairs 3 years. This warranty is limited to the replacement of defective or spare parts.

**APPLICATION CONDITIONS**

In order to claim its warranty, part "B" of this card has to be given to your official Vermeiren dealer. The warranty is only valid when parts are replaced by Vermeiren in Belgium.

**EXCEPTIONS**

- This warranty is not valid in case of:
- damage due to incorrect usage of the wheelchair,
  - damage during transport,
  - involvement in an accident,
  - a dismount, modification or repair carried outside of our company and/or official Vermeiren dealership,
  - normal wear of the wheelchair,
  - non-return of the warranty card

**GARANTIEERKLÄRUNG**

Wir garantieren, dass für unsere Rollstühle hochwertige Produkte verwendet werden, die in sorgfältiger Verarbeitung nach dem neuesten Stand der Technik montiert werden. Bevor Ihr Rollstuhl unser Werk verlassen hat, wurde er einer eingehenden Endkontrolle unterzogen, um auch letzte, eventuell vorhandene Mängel aufzuspüren.

Auf Standardrollstühle gewähren wir eine Garantie von 5 Jahren, auf Leichtgewichtrollstühle 4 Jahre, auf elektronische Rollstühle, Dreiräder, Betten und andere Produkte: 2 Jahre (Batterien 6 Monate), auf Multifunktionsrollstühle 3 Jahre.

In dieser Garantie eingeschlossen sind alle Mängel, die auf einen Produkt- oder Verarbeitungsfehler zurückzuführen sind. Dieser Garantie unterliegen keine Schäden aus unsachgemäßer Benutzung. Ebenfalls sind Verschleißteile von der Garantie ausgenommen.

Sollte einmal der Fall eingetreten sein, dass Sie aus berechtigtem Grunde mit Ihrem Rollstuhl unzufrieden sind, so wenden Sie sich bitte unverzüglich an Ihren Fachhändler. Er wird sich in enger Zusammenarbeit mit uns darum bemühen, eine für Sie zufriedenstellende Lösung zu finden.

**A**

- Por favor entéguelo en el plazo de 8 días a partir de la fecha de compra o registre su producto en nuestra página web, <http://www.vermeiren.be/registration>
- à renvoyer dans les 8 jours après achat ou régistrez votre produit sur notre site, <http://www.vermeiren.be/registration>
- please return within 8 days of date of purchase or register your product at our website, <http://www.vermeiren.be/registration>
- zurückschicken innerhalb von 8 Tagen nach kauf oder registrieren Sie Ihr Produkt auf unserer website, <http://www.vermeiren.be/registration>
- da restituire entro 8 giorni dalla data di acquisto o registri il vostro prodotto al nostro web site, <http://www.vermeiren.be/registration>

**B**

- en caso de reparación, por favor, añada el apartado "B".
- en cas de réparation, veuillez ajouter la carte "B".
- in case of repair, please add part "B".
- im Falle einer Reparatur, Karte "B" beifügen
- in case di riparazione, rispediteci la carta "B".



N.V. VERMEIREN N.V.  
Vermeirenplein 1/15  
B-2920 Kalmarhout  
BELGIUM







## SERVICE

The rollator was serviced:  
Le rollator roulant contrôlé:  
De rollator is gecontroleerd:

Das Rollator wurde überprüft:  
Il deambulatore è stat ispezionata:  
La andador ha sido revisado:  
Z chodzik był serwisowany:

Dealer's stamp • Cachet du revendeur • Stempel van de handelaar  
Händlerstempel • Timbro del rivenditore • Sello del distribuidor •  
Dealerzy pieczęć:

Date • Datum • Data • Fecha:

Dealer's stamp • Cachet du revendeur • Stempel van de handelaar  
Händlerstempel • Timbro del rivenditore • Sello del distribuidor •  
Dealerzy pieczęć:

Date • Datum • Data • Fecha:

Dealer's stamp • Cachet du revendeur • Stempel van de handelaar  
Händlerstempel • Timbro del rivenditore • Sello del distribuidor •  
Dealerzy pieczęć:

Date • Datum • Data • Fecha:

Dealer's stamp • Cachet du revendeur • Stempel van de handelaar  
Händlerstempel • Timbro del rivenditore • Sello del distribuidor •  
Dealerzy pieczęć:

Date • Datum • Data • Fecha:

Dealer's stamp • Cachet du revendeur • Stempel van de handelaar  
Händlerstempel • Timbro del rivenditore • Sello del distribuidor •  
Dealerzy pieczęć:

Date • Datum • Data • Fecha:

Dealer's stamp • Cachet du revendeur • Stempel van de handelaar  
Händlerstempel • Timbro del rivenditore • Sello del distribuidor •  
Dealerzy pieczęć:

Date • Datum • Data • Fecha:

Dealer's stamp • Cachet du revendeur • Stempel van de handelaar  
Händlerstempel • Timbro del rivenditore • Sello del distribuidor •  
Dealerzy pieczęć:

Date • Datum • Data • Fecha:

Dealer's stamp • Cachet du revendeur • Stempel van de handelaar  
Händlerstempel • Timbro del rivenditore • Sello del distribuidor •  
Dealerzy pieczęć:

Date • Datum • Data • Fecha:

Dealer's stamp • Cachet du revendeur • Stempel van de handelaar  
Händlerstempel • Timbro del rivenditore • Sello del distribuidor •  
Dealerzy pieczęć:

Date • Datum • Data • Fecha:

Dealer's stamp • Cachet du revendeur • Stempel van de handelaar  
Händlerstempel • Timbro del rivenditore • Sello del distribuidor •  
Dealerzy pieczęć:

Date • Datum • Data • Fecha:

- For service checklists an additional technical information, please see our specialist dealers nearest to you. More information on our website at: [www.vermeiren.com](http://www.vermeiren.com).
- Les listes des contrôles à effectuer lors des entretiens de même que toute autre information technique sont disponibles auprès de nos filiales. Pour de plus amples informations, consultez le site: [www.vermeiren.fr](http://www.vermeiren.fr).
- Servicelijsten en andere technische informatie kunt u aanvragen bij onze vestigingen. Meer informatie vindt u ook op: [www.vermeiren.be](http://www.vermeiren.be).
- Servicechecklisten und weitere technische Informationen erhalten Sie über unsere Niederlassungen. Informationen unter: [www.vermeiren.de](http://www.vermeiren.de), [www.vermeiren.at](http://www.vermeiren.at), [www.vermeiren.ch](http://www.vermeiren.ch).
- Gli elenchi di controllo di manutenzione e ulteriori informazioni tecniche sono disponibili presso le nostre filiali. Per informazioni consultare il sito: [www.vermeiren.com](http://www.vermeiren.com).
- Para un servicio de revisión o información técnica adicional, por favor, consulte a nuestros distribuidores especialistas más cercanos. Más información en nuestra página web: [www.vermeiren.com](http://www.vermeiren.com).
- Po dodatkowe informacje techniczne oraz listę części zamiennych proszę się kontaktować z naszym wyspecjalizowanymi dystrybutorami w pobliżu miejsca zamieszkania. Więcej informacji na naszej stronie [www.vermeiren.pl](http://www.vermeiren.pl).



---

## Notes

A series of horizontal dotted lines for writing notes.



## Belgium

### N.V. Vermeiren N.V.

Vermeirenplein 1 / 15  
B-2920 Kalmthout  
Tel: +32(0)3 620 20 20  
Fax: +32(0)3 666 48 94  
website: [www.vermeiren.be](http://www.vermeiren.be)  
e-mail: [info@vermeiren.be](mailto:info@vermeiren.be)

## France

### Vermeiren France S.A.

Z. I., 5, Rue d'Ennevelin  
F-59710 Avelin  
Tel: +33(0)3 28 55 07 98  
Fax: +33(0)3 20 90 28 89  
website: [www.vermeiren.fr](http://www.vermeiren.fr)  
e-mail: [info@vermeiren.fr](mailto:info@vermeiren.fr)

## Italy

### Vermeiren Italia

Viale delle Industrie 5  
I-20020 Arese MI  
Tel: +39 02 99 77 07  
Fax: +39 02 93 58 56 17  
website: [www.reatime.it](http://www.reatime.it)  
e-mail: [info@reatime.it](mailto:info@reatime.it)

## Poland

### Vermeiren Polska Sp. z o.o

ul. Łączna 1  
PL-55-100 Trzebnica  
Tel: +48(0)71 387 42 00  
Fax: +48(0)71 387 05 74  
website: [www.vermeiren.pl](http://www.vermeiren.pl)  
e-mail: [info@vermeiren.pl](mailto:info@vermeiren.pl)

## Czech Republic

### Vermeiren ČR S.R.O.

Nadrazni 132  
702 00 Ostrava 1  
Tel: +420 596 133 923  
Fax: +420 596 133 277  
website: [www.vermeiren.cz](http://www.vermeiren.cz)  
e-mail: [info@vermeiren.cz](mailto:info@vermeiren.cz)

## Germany

### Vermeiren Deutschland GmbH

Wahlerstraße 12 a  
D-40472 Düsseldorf  
Tel: +49(0)211 94 27 90  
Fax: +49(0)211 65 36 00  
website: [www.vermeiren.de](http://www.vermeiren.de)  
e-mail: [info@vermeiren.de](mailto:info@vermeiren.de)

## Austria

### Vermeiren Austria GmbH

Schärdinger Strasse 4  
A-4061 Pasching  
Tel: +43(0)732 37 13 66  
Fax: +43(0)732 37 13 69  
website: [www.vermeiren.at](http://www.vermeiren.at)  
e-mail: [info@vermeiren.at](mailto:info@vermeiren.at)

## Switzerland

### Vermeiren Suisse S.A.

Hühnerhubelstraße 59  
CH-3123 Belp  
Tel: +41(0)31 818 40 95  
Fax: +41(0)31 818 40 98  
website: [www.vermeiren.ch](http://www.vermeiren.ch)  
e-mail: [info@vermeiren.ch](mailto:info@vermeiren.ch)

## Spain / Portugal

### Vermeiren Iberica, S.L.

Carratera de Cartellà, Km 0,5  
Sant Gregori Parc Industrial Edifici A  
17150 Sant Gregori (Girona)  
Tel: +34 972 42 84 33  
Fax: +34 972 40 50 54  
website: [www.vermeiren.es](http://www.vermeiren.es)  
e-mail: [info@vermeiren.es](mailto:info@vermeiren.es)